

# 6.16 Kogelkraan type: DiI FPM

## Productinformatie

### Materiaal

- PVC-U = Polyvinylchloride zonder weekmaker

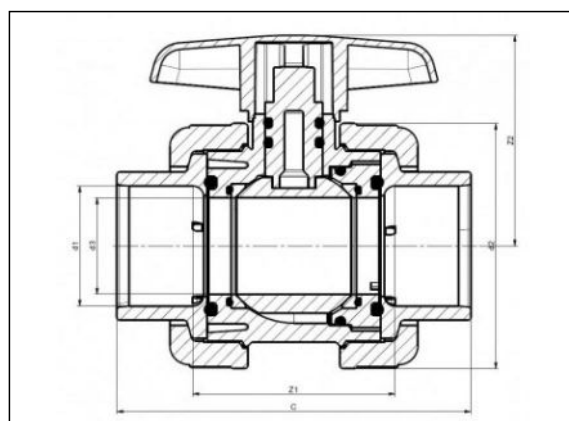
### Afdichting

- VITON®

### Vervaardiging

- Spuitgiet

## Onderdelen



## Beschikbare artikelen

ART.CODE	d1	d2	d3	Z1	Z2	C	DN	PN	Type	Verp
6.16.016	16	59	15	54	56	84	10	16	A	50
6.16.020	20	59	15	50	56	84	15	16	A	50
6.16.025	25	64	20	54	57	94	20	16	A	50
6.16.032	32	73	25	64	66	110	25	16	A	50
6.16.040	40	86	32	69	75	122	32	16	A	25
6.16.050	50	102	40	87	90	150	40	16	A	15
6.16.063	63	124	50	102	102	180	50	16	A	10
6.16.075	75	151	63	128	123	217	65	10	B	5
6.16.090	90	178.5	75	152	143	255	80	10	B	3

### Van de Lande BV

Lissenveld 1 \ 4941 VK Raamsdonksveer \ The Netherlands \ t +31 (0)162 51 60 00 \ f +31 (0)162 52 14 17 \ sales@vandelande.com  
 Traderegister Tilburg: 18070844 \ IBAN: NL13 RABO 0143 0035 26 \ BIC: RABONL2U \ VAT: NL 8123.91.755.B01

ART.CODE	d1	d2	d3	Z1	Z2	C	DN	PN	Type	Verp
6.16.110	110	215.5	90	184	161	307	100	10	B	1

**Van de Lande BV**

Lissenveld 1 \ 4941 VK Raamsdonksveer \ The Netherlands \ t +31 (0)162 51 60 00 \ f +31 (0)162 52 14 17 \ sales@vandelande.com  
Traderegister Tilburg: 18070844 \ IBAN: NL13 RABO 0143 0035 26 \ BIC: RABONL2U \ VAT: NL 8123.91.755.B01

All our transactions are subject to the Van de Lande General Terms of Sale. A copy of these can be provided immediately upon your request.