

# 3.35 Draadnippel

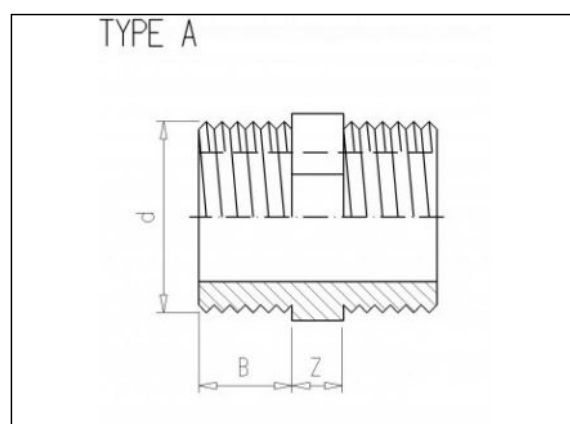
## Productinformatie

### Eigenschappen

- Buitengasdraad

### Materiaal

- PVC-U = Polyvinylchloride zonder weekmaker



## Beschikbare artikelen

ART.CODE	d	Z	B	S	Type	PN	Verp
1.50.025	2 1/2" (M)	8	31	-	B	16	25
1.50.030	3" (M)	25	27	-	B	16	10
1.50.040	4" (M)	16	33	-	B	16	10
1.50.050	5" (M)	16	46	-	B	16	10
3.35.035	1/4" (M)	8	12	19	A	16	100
3.35.045	3/8" (M)	8	12.5	24	A	16	100

### Van de Lande BV

Lissenveld 1 \ 4941 VK Raamsdonksveer \ The Netherlands \ t +31 (0)162 51 60 00 \ f +31 (0)162 52 14 17 \ sales@vandelande.com  
 Traderegister Tilburg: 18070844 \ IBAN: NL13 RABO 0143 0035 26 \ BIC: RABONL2U \ VAT: NL 8123.91.755.B01

ART.CODE	d	Z	B	S	Type	PN	Verp
3.35.045	3/8" (M)	8	12.5	24	A	16	100
3.35.055	1/2" (M)	8	15.5	27	A	16	100
3.35.065	3/4" (M)	8	17	32	A	16	100
3.35.075	1" (M)	9	21	36	A	16	100
3.35.085	1 1/4" (M)	10	23	46	A	16	100
3.35.095	1 1/2" (M)	11	23	55	A	16	100
3.35.105	2" (M)	12	27	65	A	16	100

**Van de Lande BV**

Lissenveld 1 \ 4941 VK Raamsdonksveer \ The Netherlands \ t +31 (0)162 51 60 00 \ f +31 (0)162 52 14 17 \ sales@vandelande.com  
Traderegister Tilburg: 18070844 \ IBAN: NL13 RABO 0143 0035 26 \ BIC: RABONL2U \ VAT: NL 8123.91.755.B01

[www.vandelande.com](http://www.vandelande.com)

All our transactions are subject to the Van de Lande General Terms of Sale. A copy of these can be provided immediately upon your request.