

2.35 Knie 90°

Productinformatie

Eigenschappen

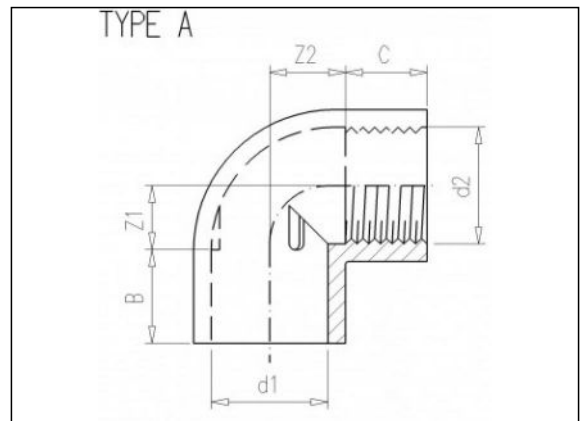
- Binnengasdraad

Materiaal

- PVC-U = Polyvinylchloride zonder weekmaker

Vervaardiging

- Spuitgiet



Beschikbare artikelen

ART.CODE	d1	d2	Z1	Z2	B	C	PN	Verp
2.35.016	16	3/8" (F)	9	11	14	12	10	200
2.35.020	20	1/2" (F)	11	11	16	16	10	200
2.35.025	25	3/4" (F)	14	16	19	17	10	300
2.35.032	32	1" (F)	17	18	22	21	10	100
2.35.040	40	1 1/4" (F)	22	26	27	23	10	100

Van de Lande BV

Lissenveld 1 \ 4941 VK Raamsdonksveer \ The Netherlands \ t +31 (0)162 51 60 00 \ f +31 (0)162 52 14 17 \ sales@vandelande.com
 Traderegister Tilburg: 18070844 \ IBAN: NL13 RABO 0143 0035 26 \ BIC: RABONL2U \ VAT: NL 8123.91.755.B01

ART.CODE	d1	d2	Z1	Z2	B	C	PN	Verp
2.35.050	50	1 1/2" (F)	28	36	31	23	10	100
2.35.063	63	2" (F)	34	41	38	31	10	50

Van de Lande BV

Lissenveld 1 \ 4941 VK Raamsdonksveer \ The Netherlands \ t +31 (0)162 51 60 00 \ f +31 (0)162 52 14 17 \ sales@vandelande.com
Traderegister Tilburg: 18070844 \ IBAN: NL13 RABO 0143 0035 26 \ BIC: RABONL2U \ VAT: NL 8123.91.755.B01

All our transactions are subject to the Van de Lande General Terms of Sale. A copy of these can be provided immediately upon your request.