

1.10 S-bocht

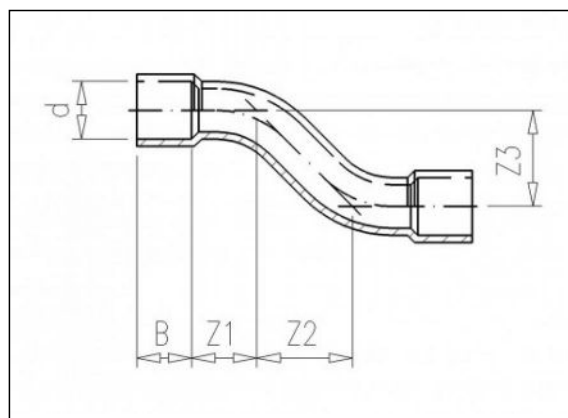
Productinformatie

Materiaal

- PVC-U = Polyvinylchloride zonder weekmaker

Vervaardiging

- Vervaardigd uit buis



Beschikbare artikelen

ART.CODE	d	B	Z1	Z2	Z3	PN	Verp
1.10.032	32	22-25	35	57	60	10	150
1.10.040	40	26-30	40	63	60	10	150
1.10.050	50	31-35	50	55	85	10	80

Van de Lande BV

Lissenveld 1 \ 4941 VK Raamsdonksveer \ The Netherlands \ t +31 (0)162 51 60 00 \ f +31 (0)162 52 14 17 \ sales@vandelande.com
Traderegister Tilburg: 18070844 \ IBAN: NL13 RABO 0143 0035 26 \ BIC: RABONL2U \ VAT: NL 8123.91.755.B01

All our transactions are subject to the Van de Lande General Terms of Sale. A copy of these can be provided immediately upon your request.