

# REMONTEC<sup>®</sup>

## Ballasted Installation Manual

---

TRIPOD+BALLASTED PLATE



# REMONTEC<sup>®</sup>

[www.remon-techniek.nl](http://www.remon-techniek.nl)

## 1. Product introduction

REMONTEC SOLAR aluminum alloy ballast system is suitable for flat roofs or concrete floors. The main body of the bracket is made of high-strength aluminum alloy, which has a beautiful appearance and is easy to carry. Each component is highly pre-assembled, which is convenient for on-site installation and greatly improves the installation efficiency. The whole system is assembled using the same components, which can be easily installed and can be adjusted according to the roof site conditions at the same time. Its advantage is that it does not damage the roof structure, and it can be fixed by pressing cement blocks or other heavy objects on the roof.

Before installation, please read the entire manual carefully. This manual provides: Planning and installation instructions for this system.

Strictly follow the installation instructions of the photovoltaic support system, which will meet the structural requirements of the product and meet the relevant standards. During installation, be sure to abide by the relevant safety regulations and pay attention to the implementation of relevant local regulations.

## 2. Installers should observe the following specifications

- Comply with all applicable local or national building codes, including any that may supersede this manual;
- Ensure that REMONTEC SOLAR bracket and other products are suitable for specific installation and installation environment;
- Please use the accessories provided by REMONTEC SOLAR and the installation tools you bring. (If other accessories are used instead of REMONTEC SOLAR accessories for construction, our company will not bear any responsibility for this);
- How to recycle: According to the relevant local regulations;
- How to disassemble: corresponding to the installation steps;
- Ensure no less than two professional solar module installers;
- Ensure that the installation of electrical related equipment is completed by a professional electrician;
- Ensure the safety of the installation of photovoltaic matrix electrical components.

### 3. Notice








#### 3-1 Warning:

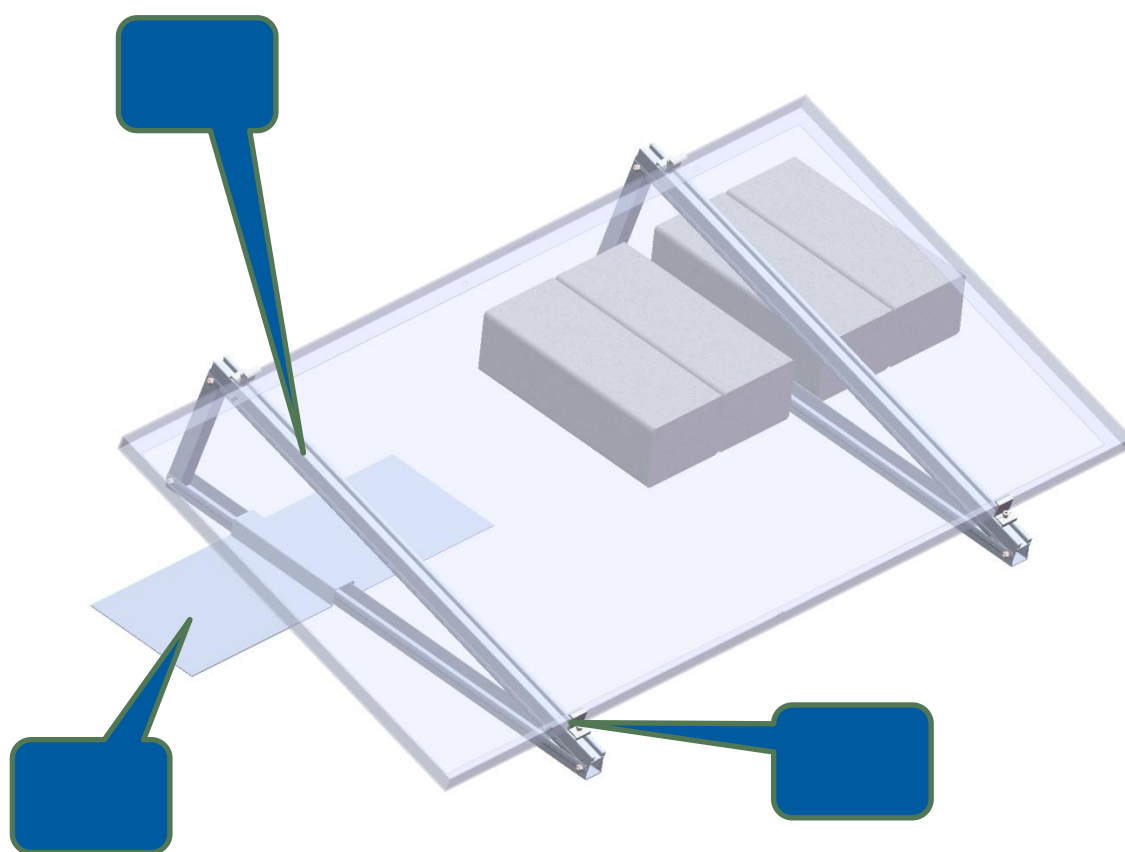
- a) Before installing or maintaining this product, please read and understand this instruction manual carefully.
- b) Wear safety gear when performing any installation.
- c) Wear safety shoes, safety helmet and safety clothing.
- d) Installation workers should receive training for installation work in advance.
- e) To prevent accidents, pay attention to the surrounding environment during installation and transportation.
- f) If the photovoltaic power generation system is running or exposed to sunlight, direct current (DC) will flow inside the solar cell module, which is dangerous, please do not touch it directly.

#### 3-2. Note:

- a) When installing this system, trained personnel should be present.
  - b) All installation work should be carried out in accordance with local government regulations.
  - c) Use this system only for its intended purpose.
  - d) The allowable tolerance of the bracket installation angle is  $\pm 1^\circ$ .
  - e) Dimensional tolerances for bracket processing are implemented in accordance with your local tolerance standards.
  - f) The assembly tolerance of the bracket is  $\pm 5\text{mm}$ .
  - g) The construction unit should make adjustments within the allowable range according to the site conditions. Rough installation is prohibited.
- \* If you have any questions about installation, please contact us.

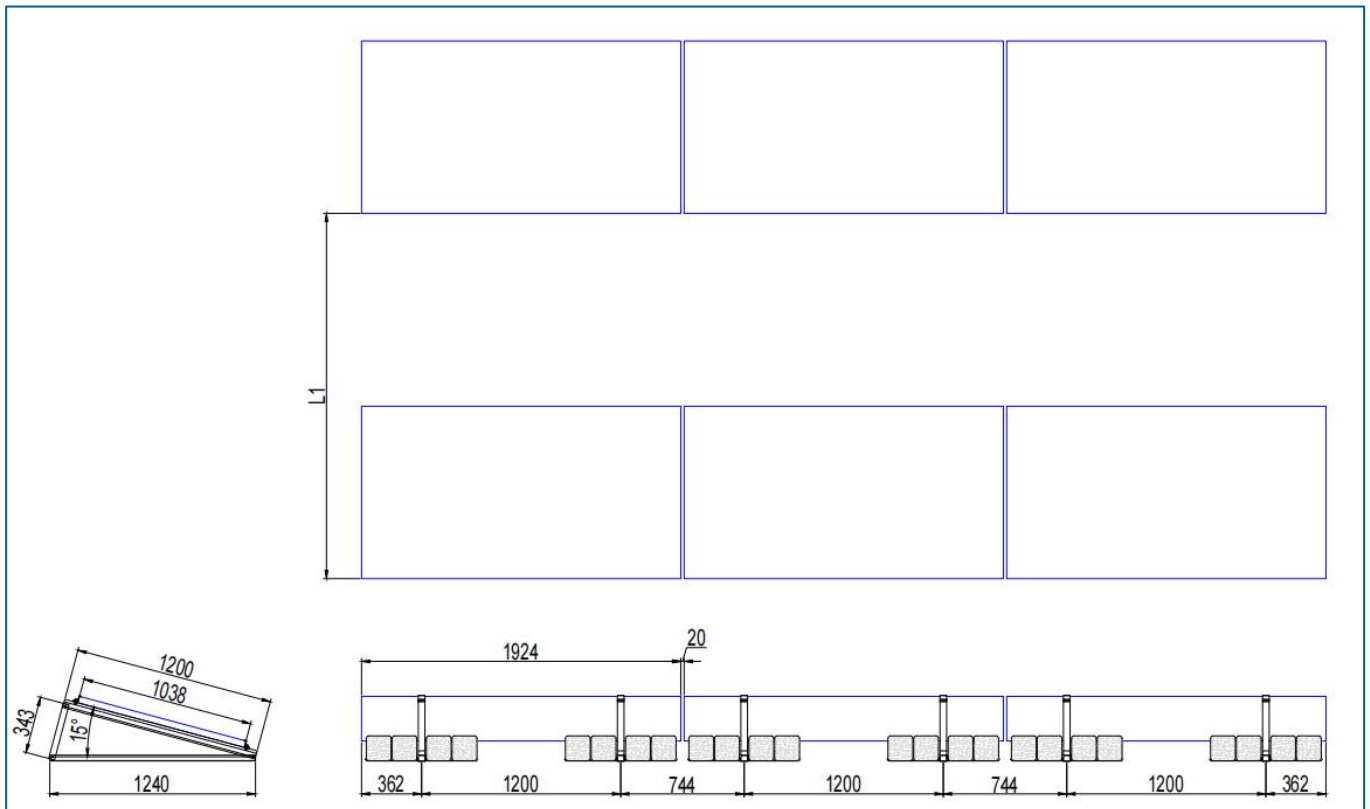
## 4. Installation tools

|   |  |  |
|---|--|--|
|    |   |   |
| M8 Allen Wrench   | Ratchet Wrench   | Torque Wrench (M8)   |
|   |  |  |
| Electric Screwdriver  | Mark Pen   | Nylon Thread   |
|  |  |  |
| Tape Measure  |  |  |



## 6. Installation guide

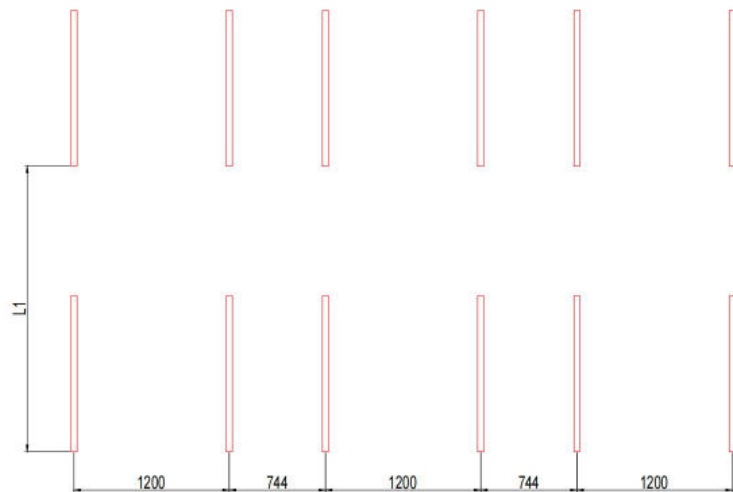
Before installation, please remember the location dimensions shown in the installation diagram below.



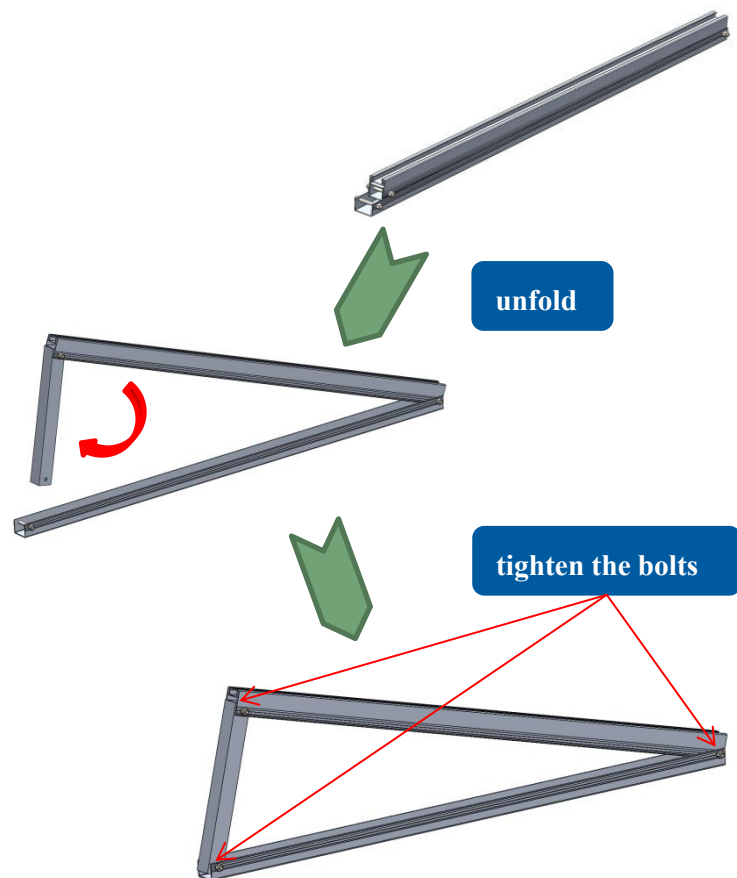
## 7. Installation steps

### 7.1 Tripod installation

According to the size of the drawing, use a tape measure and string to mark the location and mark the installation position of each tripod.

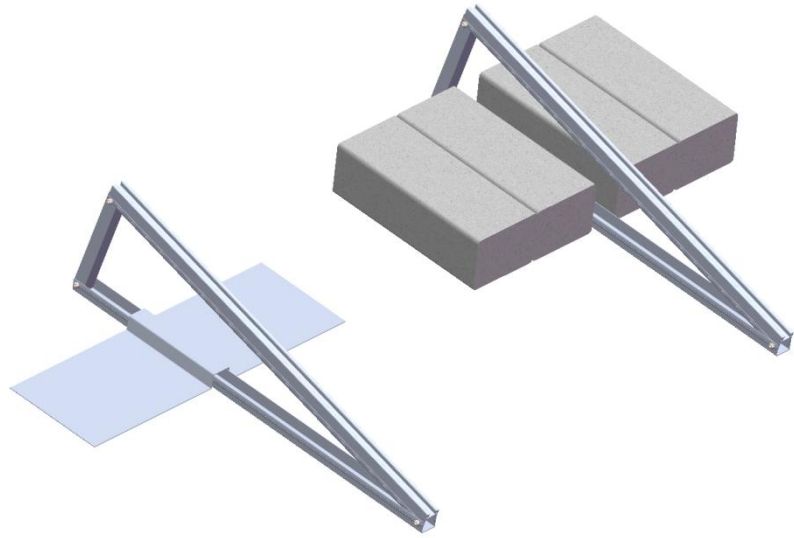


Unfold the pre-assembly of the tripod, and tighten the bolts at the joints.



## 7.2 Ballasted plate installation

Fix the tripod at the marked position through the ballast plate, and place cement blocks (or other heavy objects) on the ballast plate. The specific weight should be determined according to the environment where the installation is made, and the solar panel should not be blown by the wind.



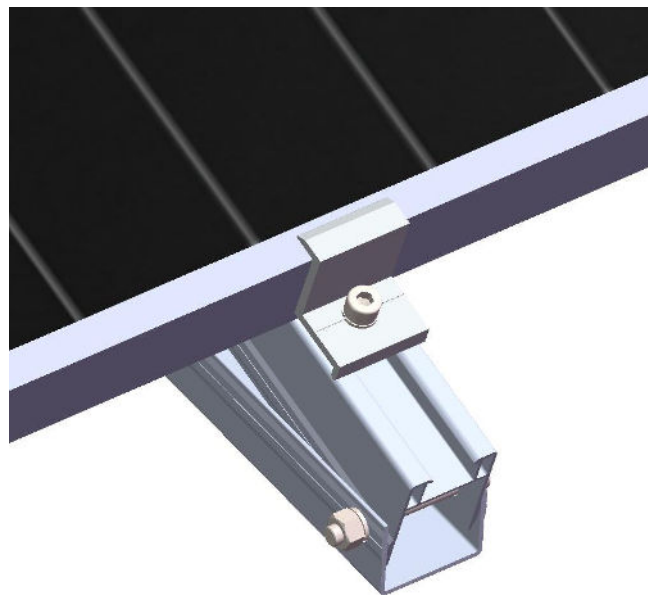
After installation in sequence, as shown on the picture.





## 7.3 End clamps installation

Place the solar panel on the two tripods, and slide the End clamps from both sides of the tripod, adjust the position and tighten the bolts on the End clamps.



## 7.4 Finish installation

Install other solar panels in  
sequence until the end



## 8. Precautions

### 8.1 Precautions when installing bolts

When installing bolts, improper use will cause the bolts and nuts to be tightened and cannot be unscrewed, that is, "locked". There are mainly the following aspects to prevent bolt locking:

Reduced coefficient of friction:

- (1) Ensure that the thread surface is clean (such as no lime sand, sundries);
- (2) It is recommended to apply water wax or add lubricant (such as butter, 40# engine oil) to the surface during installation.

Correct method of operation:

- (1) It must be screwed perpendicular to the axis of the thread, and must not be inclined;
- (2) During the tightening process, the applied force must be uniform, and the tightening torque must not exceed the specified safe torque value;
- (3) When using an electric wrench, do not rotate it quickly to avoid locking due to a rapid temperature rise.

Safe Torque:

Refer to this installation manual for safe torque operation of each fastener.

When the bolts and nuts are made of stainless steel, special attention should be paid to the above installation precautions. If locking occurs during installation, other tools can be used to forcibly unscrew or cut off the bolts, but be careful and do not damage the oxide layer on the surface of the aluminum alloy bracket.

### 8.2 Notes on engineering installation dimensions

The specific dimensions involved in the engineering installation shall be subject to the engineering drawings. This installation instruction is only for the installation of this product.