

### NON-ENAMELED BUFFER TANKS WITH TWO BLACK AND ONE STAINLESS STEEL HEAT EXCHANGER

#### TECHNICAL DATA

Model	...	BCWS2 300K	BCWS2 500K80
Volume group	...	300	500
Energy efficiency class	...	B	B
Standing loss heat	W	53	71
Rated pressure	MPa	0.3	0.3
Volume	L	241	435
Insulation thickness	mm	85	80
Gross weight	kg	103	161

#### HEAT EXCHANGERS

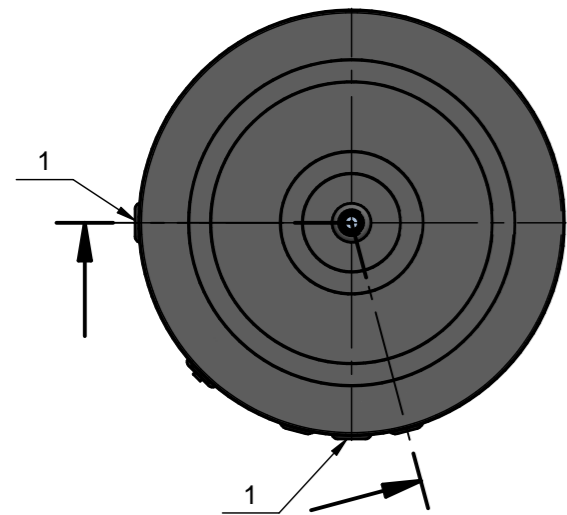
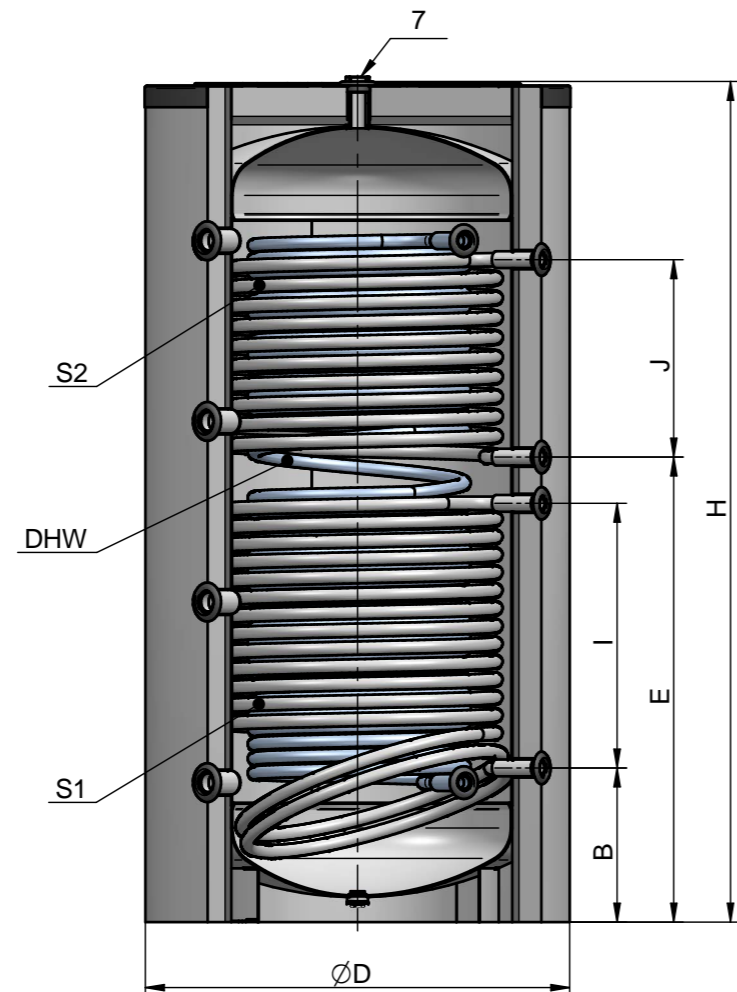
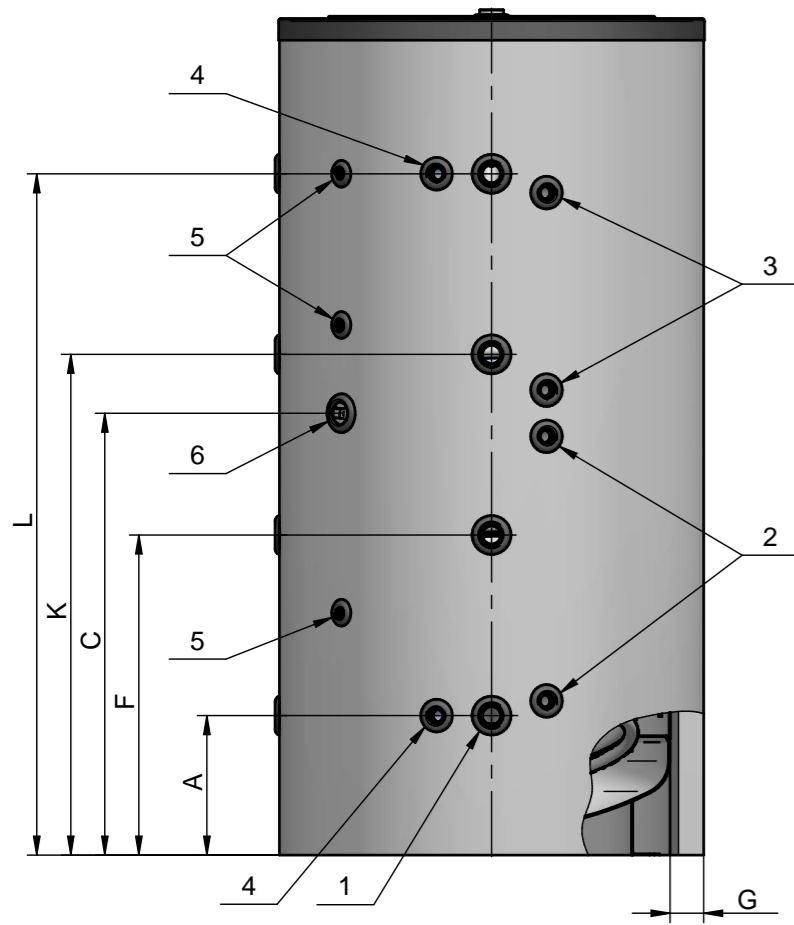
Surface area S1	m <sup>2</sup>	1.12	1.85
Volume S1	L	5.44	12.15
Pressure loss S1	mbar	50	35
Surface area S2	m <sup>2</sup>	0.86	1.15
Volume S2	L	4.18	7.53
Pressure loss S2	mbar	55	55
Surface area heat exchanger DHW	m <sup>2</sup>	3.03	4.65
Volume heat exchanger DHW	L	16.64	25.72

#### CONNECTIONS

1: Inlet / Outlet		G1 1/2 F	G2 F
2: S1		G3/4 F	G1 F
3: S2		G3/4 F	G1 F
4: Heat exchanger DHW		G1 F	G1 F
5: Socket for thermostat		G1/2 F	G1/2 F
6: Additional socket		G1 1/2 F	G1 1/2 F
7: Inlet / Outlet		G3/4 F	G1 1/4 F

#### DIMENSIONS

A	mm	205	220
B	mm	235	260
C	mm	835	960
D	mm	670	800
E	mm	885	1040
F	mm	575	635
G	mm	85	80
H	mm	1595	1765
I	mm	530	630
J	mm	400	380
K	mm	945	1045
L	mm	1315	1460



### NON-ENAMELED BUFFER TANKS WITH TWO BLACK AND ONE STAINLESS STEEL HEAT EXCHANGER

#### TECHNICAL DATA

Model	...	BCWS2 750F	BCWS2 1000F	BCWS2 1500F	BCWS2 2000F
Volume group	...	750	1000	1500	2000
Energy efficiency class	...	-	-	-	-
Standing loss	W	129	141	165	186
Rated pressure	MPa	0.3	0.3	0.3	0.3
Volume	L	672	895	1404	1914
Insulation thickness	mm	80	80	100	100
Gross weight	kg	248	270	360	436

#### HEAT EXCHANGERS

Surface area S1	m <sup>2</sup>	2.03	3.04	3.04	4.25
Volume S1	L	13.34	19.95	19.95	27.94
Pressure loss S1	mbar	50	70	70	80
Surface area S2	m <sup>2</sup>	1.22	2.03	2.03	2.73
Volume S2	L	7.99	13.34	13.34	17.97
Pressure loss S2	mbar	20	40	30	50
Surface area heat exchanger DHW	m <sup>2</sup>	5.16	7.50	9.00	11.24
Volume heat exchanger DHW	L	28.52	41.61	49.93	62.41

#### CONNECTIONS

1: Inlet / Outlet		G2 F	G2 F	G2 F	G2 F
2: S1		G1 F	G1 F	G1 F	G1 F
3: S2		G1 F	G1 F	G1 F	G1 F
4: Heat exchanger DHW		G1 F	G1 F	G1 F	G1 F
5: Socket for thermostat		G1/2 F	G1/2 F	G1/2 F	G1/2 F
6: Additional socket		G1 1/2 F	G1 1/2 F	G1 1/2 F	G1 1/2 F
7: Inlet / Outlet		G1 1/4 F	G1 1/4 F	G2 F	G2 F

#### DIMENSIONS

A	mm	330	330	385	395
B	mm	360	360	425	435
C	mm	890	1045	1220	1230
D	mm	1010	1010	1250	1400
E	mm	940	1100	1245	1255
F	mm	645	755	845	855
G	mm	80	80	100	100
H	mm	1665	2000	2210	2255
I	mm	470	630	730	730
J	mm	290	470	470	470
K	mm	960	1185	1305	1315
L	mm	1270	1610	1765	1775