

MAGNIFICA

Self-priming pumps for swimming pools



Residential
Swimming Pools



Public
Swimming Pools



PERFORMANCE RANGE

- Flow rate up to **700 l/min** (42 m³/h)
- Head up to **23 m**

APPLICATION LIMITS

- Manometric suction lift up to **4 m** (HS)
- Liquid temperature up to **+45 °C**
- Ambient temperature up to **+50 °C**
- Max. working pressure **2.5 bar**
- Continuous service **S1**

CONSTRUCTION AND SAFETY STANDARDS

EN 60335-1 EN 60034-1
IEC 60335-1 IEC 60034-1
CEI 61-150 CEI 2-3



EU REGULATION N. 547/2012

CERTIFICATIONS

Company with management
system certified DNV ISO 9001: QUALITY



INSTALLATION AND USE

Waters for use in swimming pools (pH 6.5 – 8.4).
Self-Priming Electric Pumps with built-in prefilter in the pump body. They are recommended for recirculation of water in small and medium sized swimming pool up to 180m³.
Installation needs to be undertaken in ventilated areas and protected from bad weather with adequate space for maintenance.

PATENTS - TRADE MARKS - MODELS

- **MAGNIFICA**® Registered Trade Mark n. 018159079
- Registered EU Design n. 007671839

OPTIONS AVAILABLE ON REQUEST

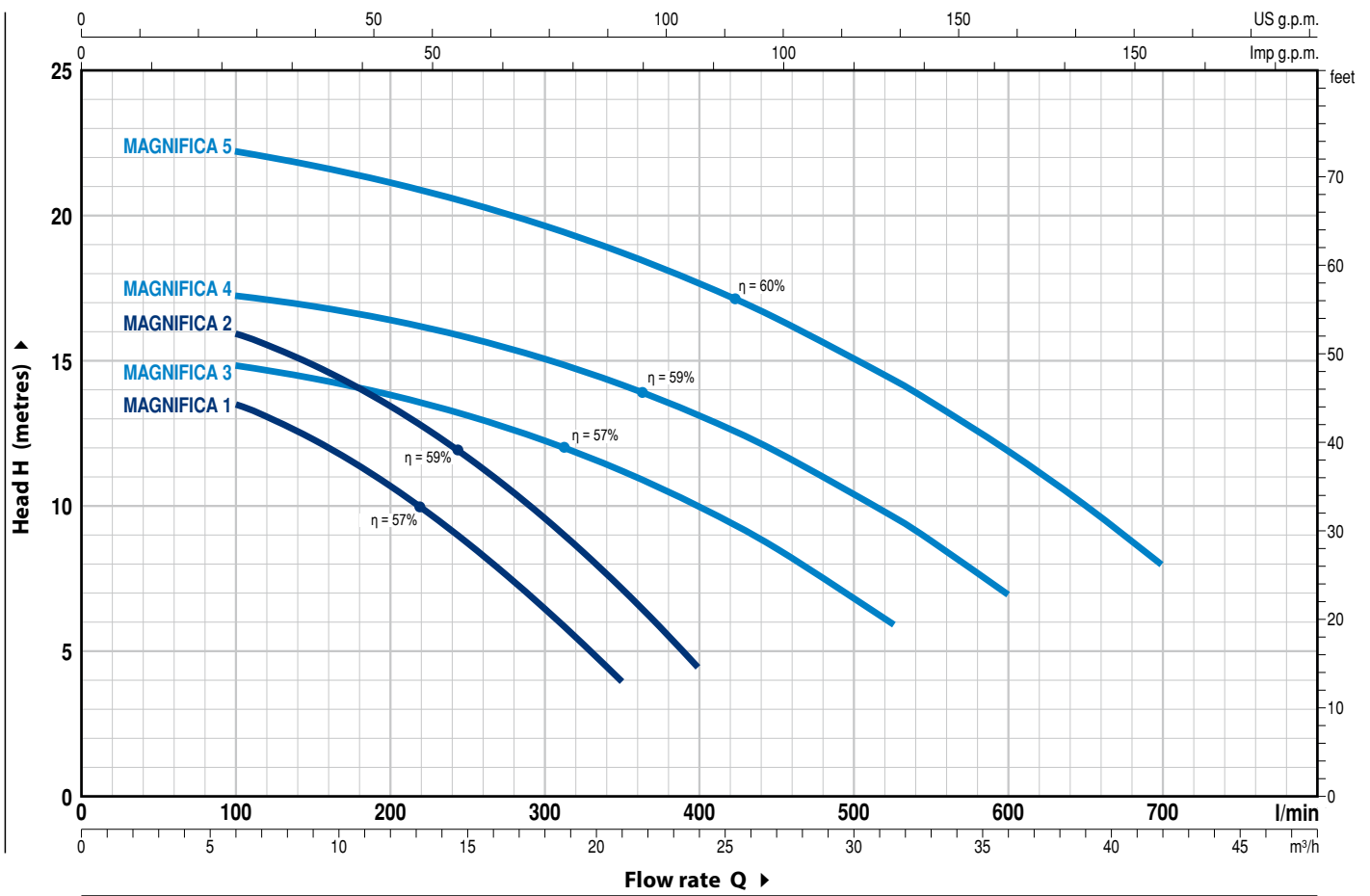
- Other voltages or **60 Hz** frequency
- Smooth connection **63 mm**
- Smooth connection **2" BS**
- Threaded connection **2" NPT**

- ✘ Particularly sturdy and corrosion resistant electric pumps, made with high quality and thick components, ensuring a long life and quiet operation.
- ✘ High flow rate with low energy consumption.
- ✘ Pre-filter complete with transparent lid to facilitate visual inspection, wing nuts for quick opening without additional tools, extra-large filter basket to reduce the frequency of cleaning operations.

- ✘ Special anti-corrosion plastic base that provides stable support for the pump and piping.
- ✘ Double insulation between hydraulic parts and the electric motor. The pump/motor shaft is never in contact with water to ensure maximum safety.
- ✘ High resistance to heat and to chemical and salt corrosion.
- ✘ Connection fittings with 2" GAS ISO 228/1 threaded ports. Screws in AISI 316.

CHARACTERISTIC CURVES AND PERFORMANCE DATA

50 Hz n = 2900 min⁻¹ HS = 0 m



MODEL		POWER (P ₂)			Q	H metres													
Single-phase	Three-phase	kW	HP	▲		0	6.0	9.0	12	15	18	21	24	30	36	42			
						0	100	150	200	250	300	350	400	525	600	700			
MAGNIFICA 1m	MAGNIFICA 1	0.55	0.75			14.5	13.5	12.3	10.7	8.8	6.5	4							
MAGNIFICA 2m	MAGNIFICA 2	0.75	1			17	16	14.9	13.5	11.8	9.7	7.3	4.5						
MAGNIFICA 3m	MAGNIFICA 3	1.1	1.5	IE3		15.5	14.9	14.4	13.9	13.2	12.3	11.3	10	6					
MAGNIFICA 4m	MAGNIFICA 4	1.5	2			17.7	17.3	16.9	16.4	15.8	15.1	14.2	13.1	9.6	7				
MAGNIFICA 5m	MAGNIFICA 5	2.2	3			23	22.2	21.8	21.2	20.5	19.7	18.8	17.7	14.4	11.9	8			



Q = Flow rate H = Total manometric head HS = Suction height

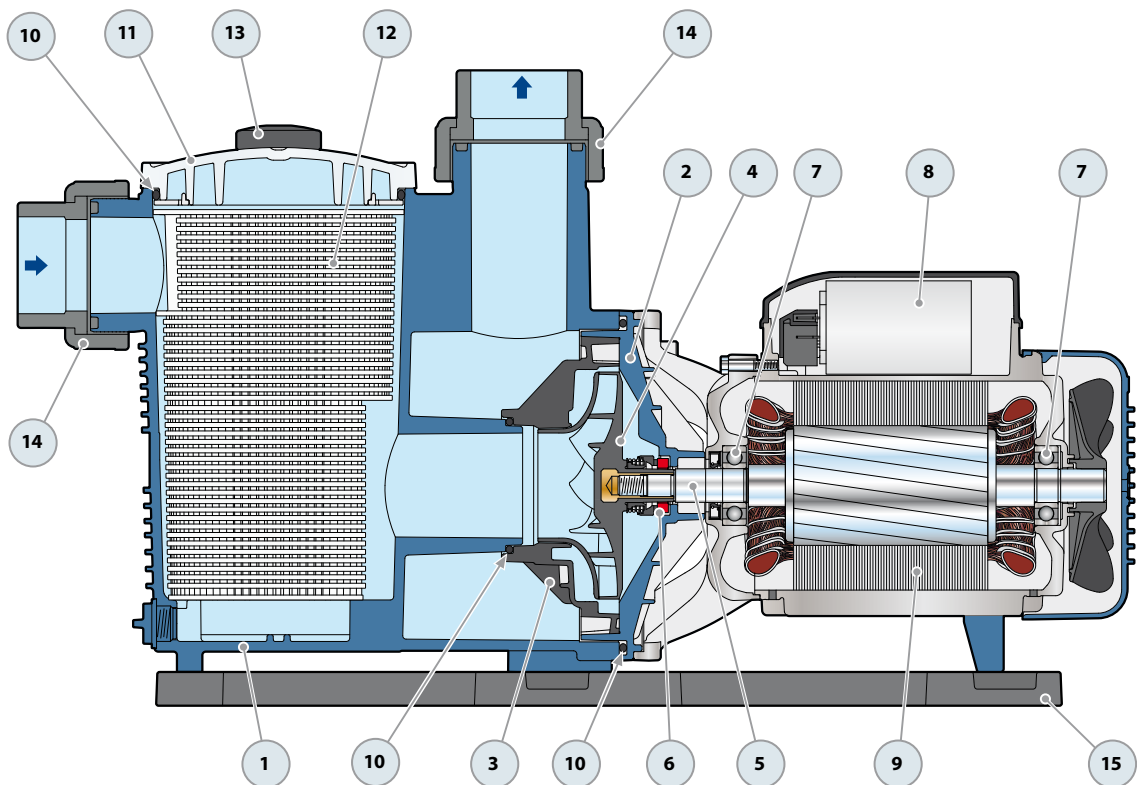
Tolerance of characteristic curves in compliance with EN ISO 9906 Grade 3B.

▲ Three-phase motor efficiency class (IEC 60034-30-1)

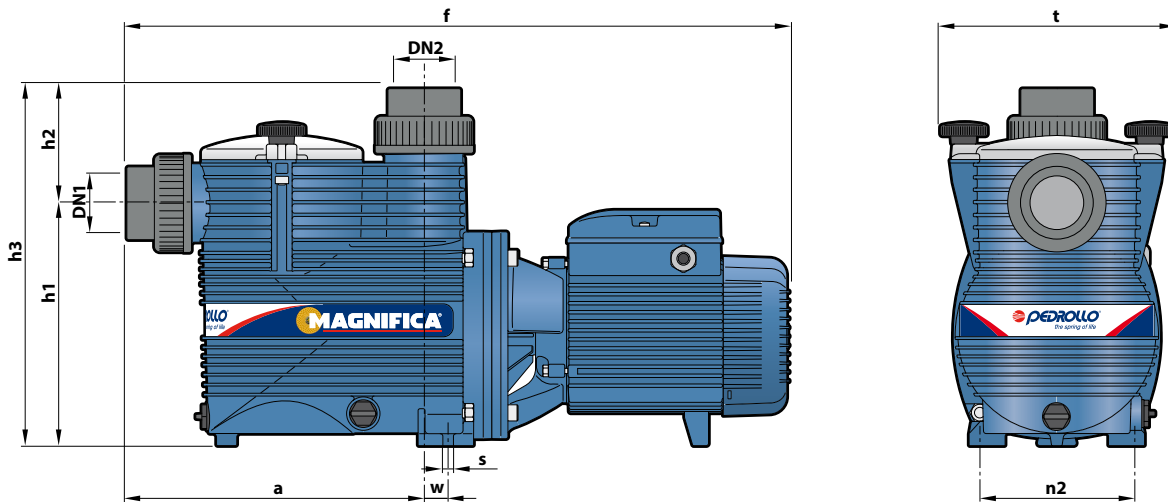
MAGNIFICA

POS. COMPONENT CONSTRUCTION CHARACTERISTICS

1	PUMP BODY	Glass fibre reinforced polypropylene with threaded ports in compliance with ISO 228/1					
2	DOOR SEAL INSERT	Glass fibre reinforced polypropylene					
3	DIFFUSER	Noryl					
4	IMPELLER	Noryl					
5	MOTOR SHAFT	Stainless steel AISI 431					
6	MECHANICAL SEAL	<i>Pump</i>	<i>Seal</i>	<i>Shaft</i>	<i>Materials</i>		
		<i>Model</i>	<i>Model</i>	<i>Diameter</i>	<i>Stationary ring</i>	<i>Rotational ring</i>	<i>Elastomer</i>
		MAGNIFICA 1-2	AR-17	Ø 17	Ceramic	Graphite	NBR
		MAGNIFICA 3-4-5	AR-20R	Ø 20	Ceramic	Graphite	NBR
7	BEARINGS	<i>Pump</i>	<i>Model</i>				
		MAGNIFICA 1-2	6203 2RS / 6203 2RS				
		MAGNIFICA 3-4-5	6204 2RS / 6204 2RS				
8	CAPACITOR	EN 60252-1/A1					
9	ELECTRIC MOTOR	MAGNIFICA m: single-phase 230 V - 50 Hz with thermal overload protector incorporated into the winding.					
		MAGNIFICA: three-phase 230/400 V - 50 Hz.					
		<p>➔ The three-phase pumps are fitted with high performance motors in class IE3 (IEC 60034-30-1)</p> <ul style="list-style-type: none"> - Insulation: class F - Protection: IP X4 					
10	OR	NBR					
11	BODY BACKPLATE	Polycarbonate					
12	PRE-FILTER	Polypropylene					
13	CLOSURE KNOB	Nylon					
14	CONNECTIONS	PVC-U					
15	BASE	Polypropylene					



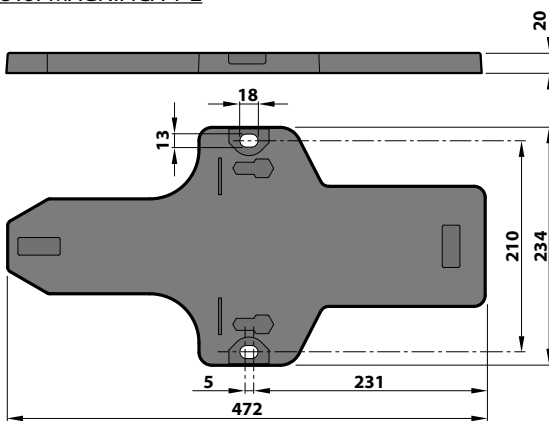
DIMENSIONS AND WEIGHT



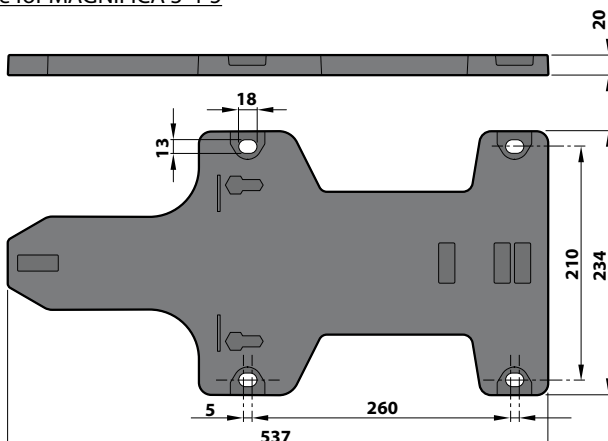
MODEL		PORTS		DIMENSIONS mm									kg	
Single-phase	Three-phase	DN1	DN2	a	f	h1	h2	h3	n2	w	s	t	1~	3~
MAGNIFICA 1m	MAGNIFICA 1	2"	2"	294	583	240	113	353	155	4.3	10.5	235	14.1	14.1
MAGNIFICA 2m	MAGNIFICA 2			294	657	240	113	353	155	15.8	10.5	235	15.0	15.0
MAGNIFICA 3m	MAGNIFICA 3			294	677	240	113	353	155	15.8	10.5	235	19.4	19.4
MAGNIFICA 4m	MAGNIFICA 4			294	677	240	113	353	155	15.8	10.5	235	20.6	20.6
MAGNIFICA 5m	MAGNIFICA 5			294	677	240	113	353	155	15.8	10.5	235	23.3	23.3

BASE (mm)

Base for MAGNIFICA 1-2



Base for MAGNIFICA 3-4-5



ABSORPTION

MODEL	VOLTAGE	
Single-phase	230 V	240 V
MAGNIFICA 1m	4.2 A	4.0 A
MAGNIFICA 2m	5.6 A	5.4 A
MAGNIFICA 3m	8.2 A	7.9 A
MAGNIFICA 4m	9.7 A	9.3 A
MAGNIFICA 5m	13.0 A	12.5 A

MODEL	VOLTAGE					
Three-phase	230 V	400 V	690 V	240 V	415 V	720 V
MAGNIFICA 1	2.8 A	1.6 A	0.9 A	2.7 A	1.5 A	0.9 A
MAGNIFICA 2	3.6 A	2.1 A	1.2 A	3.5 A	2.0 A	1.2 A
MAGNIFICA 3	5.4 A	3.1 A	1.8 A	5.2 A	3.0 A	1.7 A
MAGNIFICA 4	7.3 A	4.2 A	2.4 A	7.0 A	4.0 A	2.3 A
MAGNIFICA 5	8.6 A	5.0 A	2.9 A	8.3 A	4.8 A	2.8 A

CAPACITORS

MODEL	CAPACITANCE
Single-phase	(230 V or 240 V)
MAGNIFICA 1m	20 µF - 450 VL
MAGNIFICA 2m	20 µF - 450 VL
MAGNIFICA 3m	31.5 µF - 450 VL
MAGNIFICA 4m	45 µF - 450 VL
MAGNIFICA 5m	50 µF - 450 VL