



PERFORMANCE RANGE

- Flow rate up to **120 l/min (7.2 m³/h)**
- Head up to **58 m**

APPLICATION LIMITS

- Manometric suction lift up to **9 m (HS)**
- Liquid temperature between **-10 °C** and **+40 °C**
- Ambient temperature up to **+40 °C**
- Max. working pressure **6 bar**
- Continuous service **S1**

CONSTRUCTION AND SAFETY STANDARDS

EN 60335-1
IEC 60335-1
CEI 61-150

EN 60034-1
IEC 60034-1
CEI 2-3



CERTIFICATIONS

Company with management system certified DNV ISO 9001: QUALITY



INSTALLATION AND USE

Suitable for use with clean water and with liquids that are not chemically aggressive towards the materials from which the pump is made.

The self-priming **FUTURE JET-ST** pumps are designed to pump water even in cases where air is present. As a result of their reliability and the fact that they are easy to use, they are recommended for use in domestic applications such as the distribution of water in combination with small or medium sized pressure tanks, and for the irrigation of gardens and orchards, etc.

Installation needs to be undertaken in well ventilated closed areas or anyway protected from bad weather.

PATENTS - TRADE MARKS - MODELS

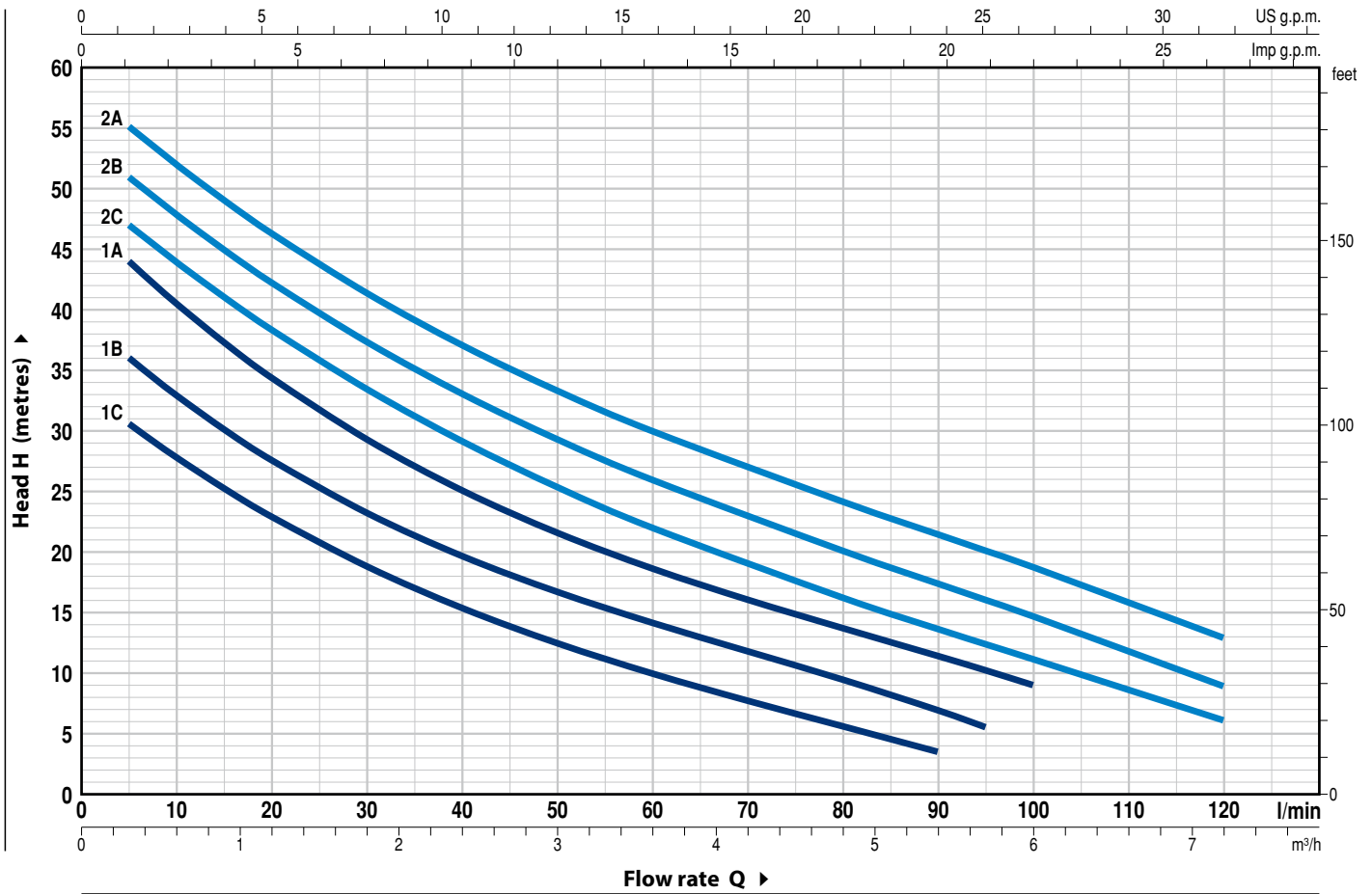
- FUTURE JET[®] Registered Trade Mark n. 018198453
- Patent Pending n. PCT/IT2019/050168

OPTIONS AVAILABLE ON REQUEST

- Other voltages or 60 Hz frequency

CHARACTERISTIC CURVES AND PERFORMANCE DATA

50 Hz n = 2900 min⁻¹ HS = 0 m



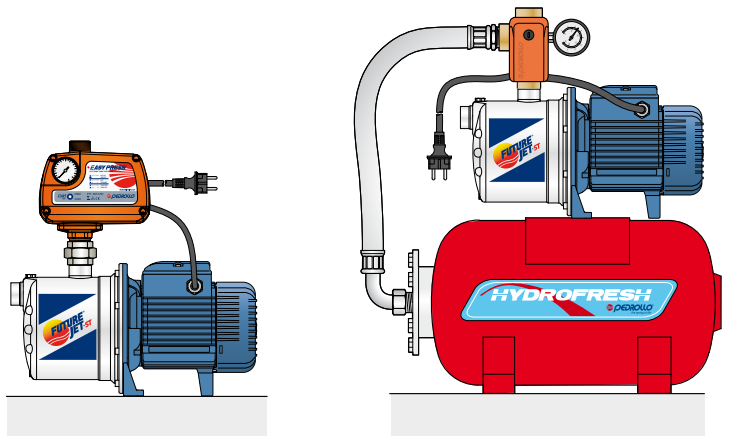
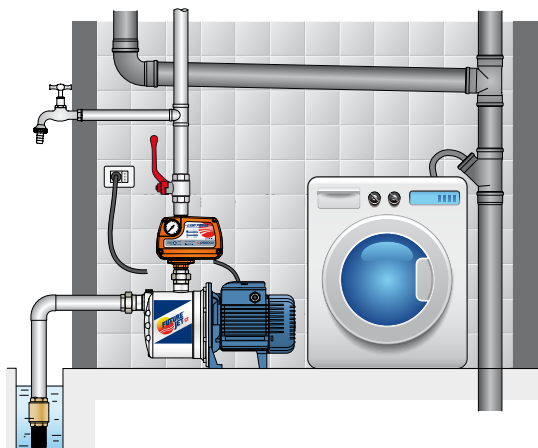
MODEL		POWER (P ₂)		Q	H metres												
Single-phase	Three-phase	kW	HP ▲		0	0.3	0.6	1.2	2.4	3.6	4.8	5.4	5.7	6	7.2		
				l/min	0	5	10	20	40	60	80	90	95	100	120		
FUTURE JETm 1C-ST	FUTURE JET 1C-ST	0.37	0.50	H metres	33.5	30.5	27.7	22.9	15.4	10	6	3.5					
FUTURE JETm 1B-ST	FUTURE JET 1B-ST	0.48	0.65		39.5	36	33	27.6	19.7	14.2	9.5	7	5.5				
FUTURE JETm 1A-ST	FUTURE JET 1A-ST	0.55	0.75		48	44	40.6	34.5	25.2	18.7	13.7	11.4	10.2	9			
FUTURE JETm 2C-ST	FUTURE JET 2C-ST	0.75	1		50	47	43.8	38.3	29	22	16.2	13.5	12.3	11	6		
FUTURE JETm 2B-ST	FUTURE JET 2B-ST	0.90	1.25		54	51	47.8	42.2	33	26	20.2	17.5	16	14.7	9		
FUTURE JETm 2A-ST	FUTURE JET 2A-ST	1.1	1.5		58	55	51.8	46.2	37	30	24.2	21.5	20	18.8	13		

Q = Flow rate H = Total manometric head HS = Suction height

Tolerance of characteristic curves in compliance with EN ISO 9906 Grade 3B.

▲ Three-phase motor efficiency class (IEC 60034-30-1)



TYPICAL INSTALLATION



FUTURE JET-ST

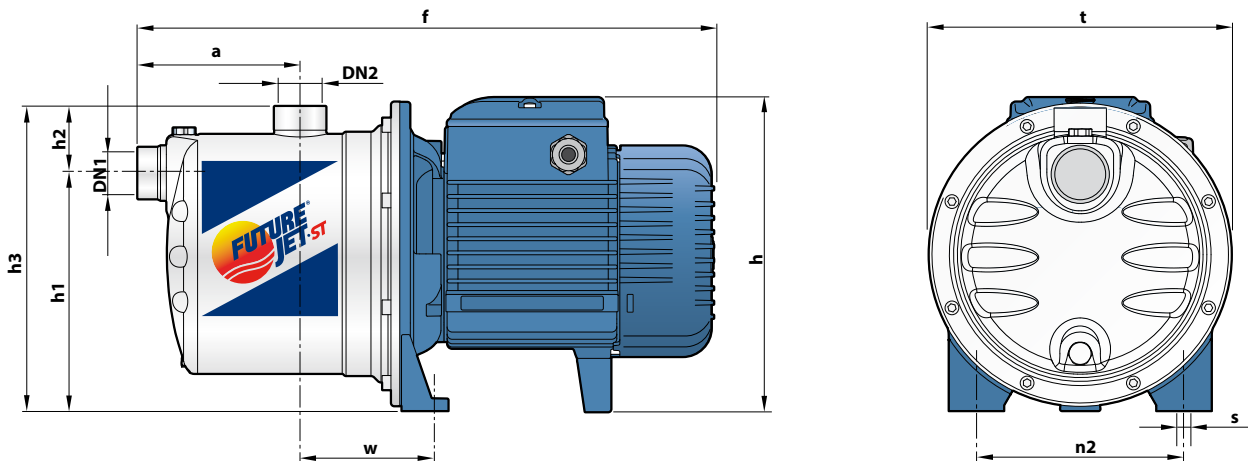
POS. COMPONENT

CONSTRUCTION CHARACTERISTICS

1	PUMP BODY	Stainless steel AISI 304 complete with threaded ports in compliance with ISO 228/1					
2	BODY BACKPLATE	Stainless steel AISI 304					
3	NOZZLE ASSEMBLY	Noryl					
4	IMPELLER	Stainless steel AISI 304					
5	MOTOR SHAFT	Stainless steel AISI 431					
6	MECHANICAL SEAL	Pump Model	Seal Model	Shaft Diameter	Stationary ring	Rotational ring	Elastomer
		FUTURE JET 1-ST	AR-12	Ø 12 mm	Ceramica	Grafite	NBR
		FUTURE JET 2-ST	AR-14	Ø 14 mm	Ceramica	Grafite	NBR
7	BEARINGS	Pump Model	Model				
		FUTURE JET 1-ST	6201 ZZ / 6201 ZZ				
		FUTURE JET 2-ST	6203 ZZ / 6203 ZZ				
8	CAPACITOR	EN 60252-1/A1					
9	ELECTRIC MOTOR	<p>FUTURE JETm-ST: single-phase 230 V - 50 Hz with thermal overload protector incorporated into the winding.</p> <p>FUTURE JET-ST: three-phase 230/400 V - 50 Hz.</p> <p>➔ The three-phase pumps are fitted with high performance motors up to P2=0.55 kW in class IE2 and from P2=0.75 kW in class IE3 (IEC 60034-30-1)</p> <p>– Isolamento: classe F – Protezione: IP X4</p>					



DIMENSIONS AND WEIGHT



MODEL		PORTS		DIMENSIONS mm										kg	
Single-phase	Three-phase	DN1	DN2	a	f	h	h1	h2	h3	t	n2	w	s	1~	3~
FUTURE JETm 1C-ST	FUTURE JET 1C-ST	1"	1"	113	367	183	132	51	183	182	120	87	9	6.9	7.0
FUTURE JETm 1B-ST	FUTURE JET 1B-ST													6.9	6.9
FUTURE JETm 1A-ST	FUTURE JET 1A-ST													7.6	6.9
FUTURE JETm 2C-ST	FUTURE JET 2C-ST	1"	1"	111	393	217 *	162	46	208	208	142	91	10	10.2	10.0
FUTURE JETm 2B-ST	FUTURE JET 2B-ST													11.1	11.0
FUTURE JETm 2A-ST	FUTURE JET 2A-ST													11.8	11.1

(*) h=236 mm per versioni monofase a 110 V

ABSORPTION

MODEL	VOLTAGE	
	230 V	240 V
Single-phase	230 V	240 V
FUTURE JETm 1C-ST	2.6 A	2.5 A
FUTURE JETm 1B-ST	3.2 A	3.1 A
FUTURE JETm 1A-ST	4.0 A	3.9 A
FUTURE JETm 2C-ST	5.0 A	4.8 A
FUTURE JETm 2B-ST	5.8 A	5.7 A
FUTURE JETm 2A-ST	6.6 A	6.5 A

MODEL	VOLTAGE					
	230 V	400 V	690 V	240 V	415 V	720 V
Three-phase	230 V	400 V	690 V	240 V	415 V	720 V
FUTURE JET 1C-ST	1.7 A	1.0 A	0.6 A	1.7 A	1.0 A	0.6 A
FUTURE JET 1B-ST	2.1 A	1.2 A	0.7 A	2.1 A	1.2 A	0.7 A
FUTURE JET 1A-ST	2.8 A	1.6 A	0.9 A	2.8 A	1.6 A	0.9 A
FUTURE JET 2C-ST	3.5 A	2.0 A	1.2 A	3.4 A	1.9 A	1.1 A
FUTURE JET 2B-ST	4.6 A	2.7 A	1.6 A	4.5 A	2.6 A	1.5 A
FUTURE JET 2A-ST	5.1 A	3.0 A	1.7 A	4.9 A	2.8 A	1.7 A

CAPACITORS

MODEL	CAPACITANCE
Single-phase	(230 V or 240 V)
FUTURE JETm 1C-ST	10 µF - 450 VL
FUTURE JETm 1B-ST	12.5 µF - 450 VL
FUTURE JETm 1A-ST	14 µF - 450 VL
FUTURE JETm 2C-ST	20 µF - 450 VL
FUTURE JETm 2B-ST	25 µF - 450 VL
FUTURE JETm 2A-ST	25 µF - 450 VL

PALLETIZATION

MODEL		GROUPAGE	CONTAINER
Single-phase	Three-phase	n. pumps	n. pumps
FUTURE JETm 1C-ST	FUTURE JET 1C-ST	84	108
FUTURE JETm 1B-ST	FUTURE JET 1B-ST	84	108
FUTURE JETm 1A-ST	FUTURE JET 1A-ST	84	108
FUTURE JETm 2C-ST	FUTURE JET 2C-ST	60	80
FUTURE JETm 2B-ST	FUTURE JET 2B-ST	60	80
FUTURE JETm 2A-ST	FUTURE JET 2A-ST	60	80