

3.72 Flens PVC-U

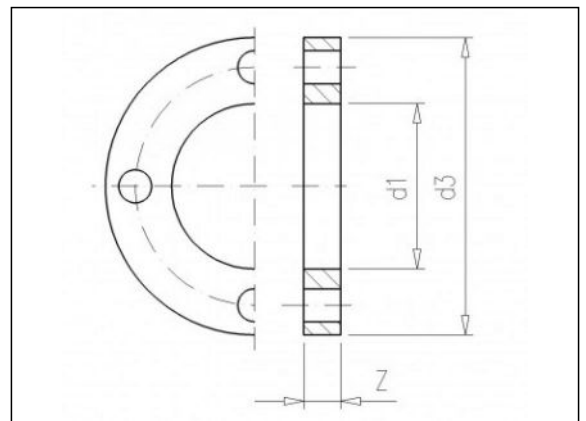
Productinformatie

Materiaal

- PVC-U = Polyvinylchloride zonder weekmaker

Vervaardiging

- spuitgiet



Beschikbare artikelen

ART.CODE	Dia	DN	d1	d2	d3	Z	NxD	PN	Type	Verp
3.72.016	16	10	23	60	90	10	4x14	10	A	50
3.72.020	20	15	28	61/63	95	11	4x16	10	B	50
3.72.025	25	20	34	70/73	105	12	4x16	10	B	50
3.72.032	32	25	42	79/83	115	14	4x16	10	B	50
3.72.040	40	32	51	91/100	140	15	4x18	10	B	30
3.72.050	50	40	62	101/110	150	16	4x18	10	B	75
3.72.063	63	50	78	121/124	165	18	4x18	10	B	50

Van de Lande BV

Lissenveld 1 \ 4941 VK Raamsdonksveer \ The Netherlands \ t +31 (0)162 51 60 00 \ f +31 (0)162 52 14 17 \ sales@vandelande.com
 Traderegister Tilburg: 18070844 \ IBAN: NL13 RABO 0143 0035 26 \ BIC: RABONL2U \ VAT: NL 8123.91.755.B01

ART.CODE	Dia	DN	d1	d2	d3	Z	NxD	PN	Type	Verp
3.72.075	75	65	92	145	185	19	4x18	10	A	30
3.72.090	90	80	110	160	200	20	8x18	10	A	25
3.72.110	110	100	133	180	220	22	8x18	10	A	15
3.72.125	125	110	150	190	235	26	8x18	10	A	15
3.72.140	140	125	167	210	250	26	8x18	10	A	15
3.72.160	160	150	190	240	285	28	8x22	10	A	10
3.72.199	200	200	226	295	340	36	8x22	10	A	5
3.72.200	200	175	235	270	315	36	8x22	10	A	5
3.72.225	225	200	251	295	340	36	8x22	10	A	5
3.72.250	250	225	277	325	370	36	8x22	6	A	5
3.72.280	280	250	309	350	395	36	12x2 2	6	A	1
3.72.315	315	300	345	400	445	36	12x2 2	6	A	1
3.72.355	355	350	388	460	505	38	16x2 2	6	A	1
3.72.400	400	400	442	515	565	42	16x2 6	6	A	1

Van de Lande BV

Lissenveld 1 \ 4941 VK Raamsdonksveer \ The Netherlands \ t +31 (0)162 51 60 00 \ f +31 (0)162 52 14 17 \ sales@vandelande.com
 Traderegister Tilburg: 18070844 \ IBAN: NL13 RABO 0143 0035 26 \ BIC: RABONL2U \ VAT: NL 8123.91.755.B01

www.vandelande.com

All our transactions are subject to the Van de Lande General Terms of Sale. A copy of these can be provided immediately upon your request.