

TRITUS[®]

Submersible electric pumps with grinder



MADE IN ITALY

 **PEDROLLO[®]**
the spring of life

TRITUS

Submersible electric pumps with grinder

 Sewage water

 Domestic use

 Industrial use

TRITUS submersible shredder pumps are recognised for their reliability and high operational safety: not subject to locking. The grinding unit with its offset cutting system drastically reduces the motor torque requirement. It grinds thoroughly, using less power, and eliminates clogging caused by particularly problematic objects such as plastic, rubber, fabric items, sanitary pads, wet wipes, protective masks, latex gloves and other hygiene products.

These grinder pumps are therefore recommended where it is necessary to convey wastewater over long distances or through pipes of a compact size, for plants not suited for being fitted with gravity systems or located in areas not served by sewerage systems.

They are recommended for:

- waste from slaughterhouses
- food industries
- paper mills
- farms
- other manufacturing activities
- for toilet systems

- ✳ The shredder is manufactured entirely of high strength **AISI 440 C** tempered stainless steel
- ✳ Double mechanical seal with an interposed oil chamber
- ✳ All cast iron parts with **cataphoresis treatment**
- ✳ Control box with a manual reset motor protection and with a starting and operating condenser (only for single phase versions)



PERFORMANCE RANGE

- Flow rate up to **410 l/min** (24.6 m³/h)
- Head up to **44.5 m**

APPLICATION LIMITS

- **10 m** maximum immersion depth (with a sufficiently long power cable)
- Maximum liquid temperature **+40°C**
- Suction down to:
 - **85 mm** for TR 0.75, TR 0.9, TR 1.1, TR 1.3
 - **95 mm** for TR 1.5, TR 2.2, TR 2.2 AP, TR 3 AP, TR 3, TR 4
- Minimum immersion depth for continuous service:
 - **300 mm** for TR 0.75, TR 0.9, TR 1.1, TR 1.3
 - **350 mm** for TR 1.5, TR 2.2, TR 2.2 AP, TR 3 AP, TR 3, TR 4

CONSTRUCTION AND SAFETY STANDARDS

- **10 m** long power cable
- External float switch and control box for single-phase versions

INSTALLATION AND USE

The **TRITUS** series of grinder pumps, built in thick cast iron, exceptional strength, abrasion resistance and durability, are fitted with a **GRINDER in tempered stainless steel of great resistance** which completely grinds up solid bodies and fibres in waste and reflux water from domestic, civil and industrial applications and conveys it under pressure into the sewers through small diameter pipes.

PATENTS - TRADEMARKS - MODELS

- Patent No. EP2313658
- Patent No. IT0001428923
- Registered EU Design No. 002501486-0002, 008625685-0005, 008625685-0006
- TRITUS® Registered trademark No. 013017181

OPTIONS AVAILABLE ON REQUEST

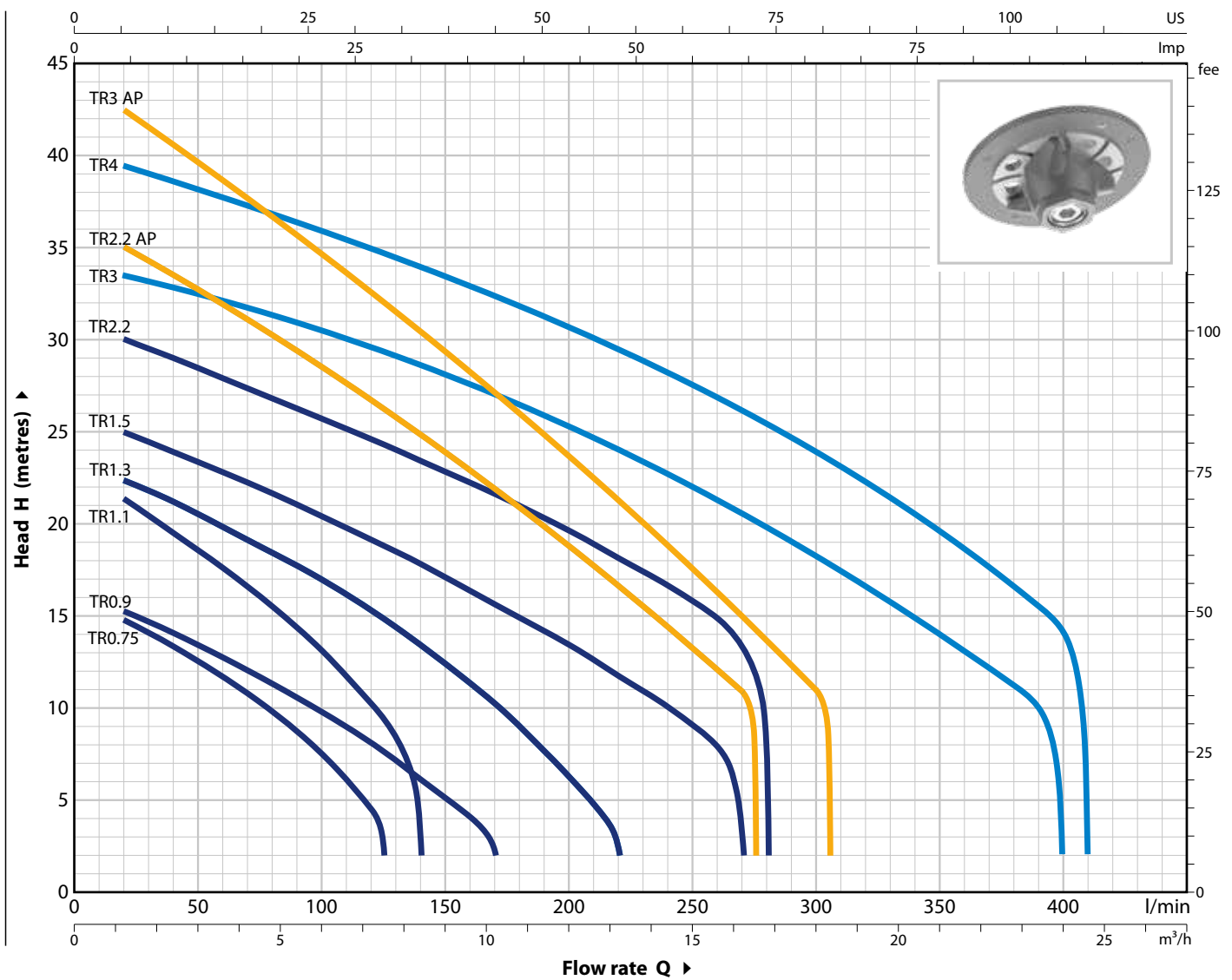
- Single-phase electric pumps without a float switch
- Other voltages or 60 Hz frequency

WARRANTY

2 years as per our general terms and conditions of sale

CHARACTERISTIC CURVES AND PERFORMANCE DATA

50 Hz



| MODEL | | POWER (P ₂) | | Q | Flow rate | | | | | | | | | | | | | | | |
|--------------|-------------|-------------------------|------|----------|-------------------|------|------|------|------|------|------|------|------|------|------|------|------|------|------|--|
| Single-phase | Three-phase | kW | HP | | m ³ /h | 0 | 1.2 | 2.4 | 3.6 | 4.8 | 6 | 7.5 | 8.4 | 10.2 | 12 | 13.2 | 14.4 | 16.2 | 16.8 | |
| | | | | l/min | 0 | 20 | 40 | 60 | 80 | 100 | 125 | 140 | 170 | 200 | 220 | 240 | 270 | 280 | | |
| TRm 0.75 | TR 0.75 | 0.75 | 1 | H metres | 16.5 | 15 | 13.5 | 11.8 | 10 | 7.5 | 2 | | | | | | | | | |
| TRm 0.9 | TR 0.9 | 0.9 | 1.25 | | 16 | 15 | 13.8 | 12.5 | 11.1 | 9.6 | 7.5 | 6 | 2 | | | | | | | |
| TRm 1.1 | TR 1.1 | 1.1 | 1.5 | | 23 | 21.5 | 19.5 | 17.5 | 15.5 | 13 | 9.5 | 2 | | | | | | | | |
| TRm 1.3 | TR 1.3 | 1.3 | 1.75 | | 23.5 | 22.5 | 21.2 | 19.8 | 18.4 | 17 | 14.8 | 13.4 | 10.2 | 6.2 | 2 | | | | | |
| TRm 1.5 | TR 1.5 | 1.5 | 2 | | 26 | 25 | 24 | 22.8 | 21.7 | 20.4 | 18.8 | 17.8 | 15.6 | 13.4 | 11.7 | 10 | 2 | | | |
| - | TR 2.2 | 2.2 | 3 | | 31 | 30 | 29 | 28 | 26.8 | 25.7 | 24.3 | 23.5 | 21.5 | 19.5 | 18 | 16.5 | 13.2 | 2 | | |

| MODEL | | POWER (P ₂) | | Q | Flow rate | | | | | | | | | | |
|--------------|-------------|-------------------------|----|----------|-------------------|------|-----|------|------|------|------|------|------|-----|------|
| Single-phase | Three-phase | kW | HP | | m ³ /h | 0 | 1.2 | 3 | 6 | 9 | 12 | 15 | 16.5 | 18 | 18.3 |
| | | | | l/min | 0 | 20 | 50 | 100 | 150 | 200 | 250 | 275 | 300 | 305 | |
| TRm 2.2 AP | TR 2.2 AP | 2.2 | 3 | H metres | 36.5 | 35 | 33 | 28.5 | 23.8 | 18.7 | 13.2 | 2 | | | |
| - | TR 3 AP | 3 | 4 | | 44.5 | 42.5 | 40 | 35 | 29.5 | 23.7 | 17.5 | 14.3 | 11 | 2 | |

| MODEL | | POWER (P ₂) | | Q | Flow rate | | | | | | | | | | | | |
|-------------|--|-------------------------|-----|----------|-------------------|------|------|------|------|------|------|------|------|------|------|-----|------|
| Three-phase | | kW | HP | | m ³ /h | 0 | 1.2 | 3 | 6 | 9 | 12 | 15 | 16.5 | 18 | 21 | 24 | 24.6 |
| | | | | l/min | 0 | 20 | 50 | 100 | 150 | 200 | 250 | 275 | 300 | 350 | 400 | 410 | |
| TR 3 | | 3 | 4 | H metres | 34.5 | 33.5 | 32.5 | 30.4 | 28 | 25.2 | 22 | 20.3 | 18.4 | 14.2 | 2 | | |
| TR 4 | | 4 | 5.5 | | 40 | 39.5 | 38 | 35.7 | 33.3 | 30.6 | 27.4 | 25.7 | 23.8 | 19.4 | 14.3 | 2 | |

Q = Flow rate H = Total manometric head

Tolerance of characteristic curves in compliance with EN ISO 9906 Grade 3B.

TRITUS 0.75 ÷ 1.3

POS. COMPONENT CONSTRUCTION CHARACTERISTICS

| | | |
|---|---------------------|--|
| 1 | PUMP BODY | Cast iron with an epoxy electro coating treatment, with threaded port in compliance with ISO 228/1 |
| 2 | IMPELLER | Technopolymer open type |
| 3 | GRINDER | Hardened AISI 440C stainless steel |
| 4 | MOTOR SHAFT | Stainless steel AISI 431 |
| 5 | MOTOR CASING | Cast iron with cataphoresis treatment |

6 DOUBLE MECHANICAL SEAL IN OIL CHAMBER

| Seal Model | Shaft Diameter | Position | Materials | | |
|---------------|-------------------|------------|-----------------|-----------------|-----------|
| | | | Stationary ring | Rotational ring | Elastomer |
| MG1-14D SIC | Ø 14 mm | Motor side | Silicon carbide | Graphite | NBR |
| | | Pump side | Silicon carbide | Silicon carbide | NBR |

7 BEARINGS 6203 ZZ-C3E

8 ELECTRIC MOTOR

TRm: single-phase 230 V - 50 Hz
with thermal overload protector incorporated into the winding

TR: three-phase 400 V - 50 Hz

- Insulation: class F
- Protection: IP X8

9 POWER CABLE

"H07 RN-F" type

- **Standard length 10 metres**

10 EXTERNAL FLOAT SWITCH

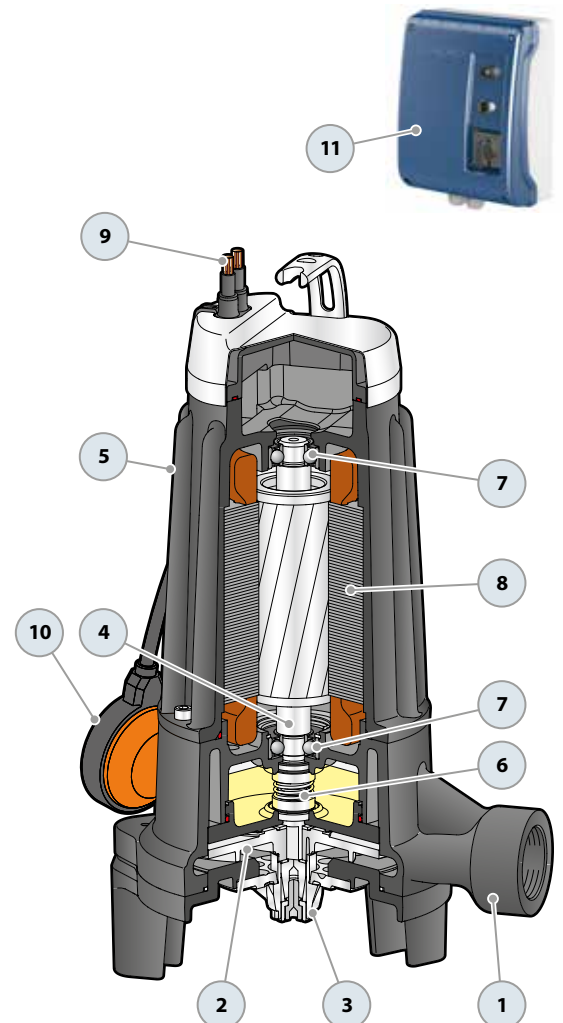
(for single-phase versions only)

11 CONTROL BOX

(for single-phase versions only)

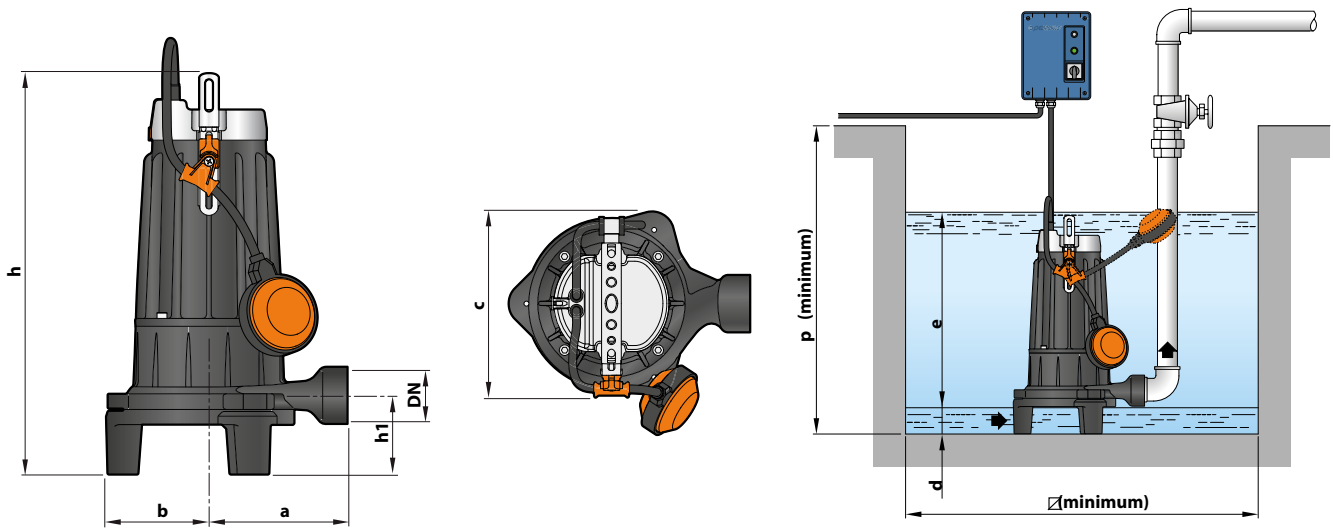
With manual overload cut-out and with starting and operating capacitors.

**Standard equipment
Control box**
(for single-phase versions only)



DIMENSIONS AND WEIGHTS

Typical installation (for single-phase version)



| MODEL | | PORT DN | DIMENSIONS mm | | | | | | | | | kg * | |
|--------------|-------------|------------|---------------|-----|-----|-----|----|----|------------|-----|-----|------|------|
| Single-phase | Three-phase | | a | b | c | h | h1 | d | e | p | ∅ | 1~ | 3~ |
| TRm 0.75 | TR 0.75 | 1 1/4" | 140 | 104 | 186 | 406 | 80 | 85 | adjustable | 500 | 500 | 24.0 | 22.0 |
| TRm 0.9 | TR 0.9 | | | | | | | | | | | 23.9 | 22.2 |
| TRm 1.1 | TR 1.1 | | | | | | | | | | | 25.7 | 23.2 |
| TRm 1.3 | TR 1.3 | | | | | | | | | | | 25.5 | 23.1 |

(* weight of pump without control box)

ABSORPTION

| MODEL | VOLTAGE | |
|--------------|---------|-------|
| Single-phase | 230 V | 240 V |
| TRm 0.75 | 5.5 A | 5.4 A |
| TRm 0.9 | 6.0 A | 5.8 A |
| TRm 1.1 | 7.4 A | 7.1 A |
| TRm 1.3 | 9.0 A | 8.6 A |

| MODEL | VOLTAGE | | | |
|-------------|---------|-------|-------|-------|
| Three-phase | 230 V | 400 V | 240 V | 415 V |
| TR 0.75 | 4.3 A | 2.5 A | 4.2 A | 2.4 A |
| TR 0.9 | 4.5 A | 2.6 A | 4.3 A | 2.5 A |
| TR 1.1 | 5.2 A | 3.0 A | 5.0 A | 2.9 A |
| TR 1.3 | 6.6 A | 3.8 A | 6.2 A | 3.6 A |

PALLETIZATION

| MODEL | GROUPAGE |
|--------------|--------------|
| Single-phase | no. of pumps |
| TRm 0.75 | 36 |
| TRm 0.9 | 36 |
| TRm 1.1 | 36 |
| TRm 1.3 | 36 |

| MODEL | GROUPAGE |
|-------------|--------------|
| Three-phase | no. of pumps |
| TR 0.75 | 60 |
| TR 0.9 | 60 |
| TR 1.1 | 60 |
| TR 1.3 | 60 |

CAPACITOR

| MODEL | CAPACITY | |
|----------------------------------|---|--|
| Single phase (230 V or 240 V) | Capacitance of the operating capacitor | Capacitance of the starting capacitor |
| TRm 0.75 | 25 µF 450 VL | 80 µF 450 VL |
| TRm 0.9 | | |
| TRm 1.1 | | |
| TRm 1.3 | | |

TRITUS 1.5 - 2.2

| POS. | COMPONENT | CONSTRUCTION CHARACTERISTICS |
|------|---------------------|--|
| 1 | PUMP BODY | Cast iron with an epoxy electro coating treatment, with threaded port in compliance with ISO 228/1 |
| 2 | IMPELLER | Precision cast stainless steel AISI 304 open type |
| 3 | GRINDER | Hardened AISI 440C stainless steel |
| 4 | MOTOR SHAFT | Stainless steel AISI 431 |
| 5 | MOTOR CASING | Cast iron with cataphoresis treatment |

6 SHAFT WITH DOUBLE MECHANICAL SEAL SEPARATED BY AN OIL CHAMBER

| Seal Model | Shaft Diameter | Position | Materials | | |
|------------|----------------|------------|-----------------|-----------------|-----------|
| | | | Stationary ring | Rotational ring | Elastomer |
| STA-20 | Ø 20 mm | Motor side | Ceramic | Graphite | NBR |
| STA-19 | Ø 19 mm | Pump side | Silicon carbide | Silicon carbide | NBR |

7 BEARINGS 3304 B-ZZ-C3 / 6304 ZZ-C3

8 ELECTRIC MOTOR

TRm: single-phase 230 V - 50 Hz
with thermal overload protector incorporated into the winding

TR: three-phase 400 V - 50 Hz
with thermal overload protector incorporated into the winding to connect to the control box

- Insulation: class F
- Protection: IP X8

9 POWER CABLE

"H07 RN-F" type

- **Standard length 10 metres**

10 EXTERNAL FLOAT SWITCH

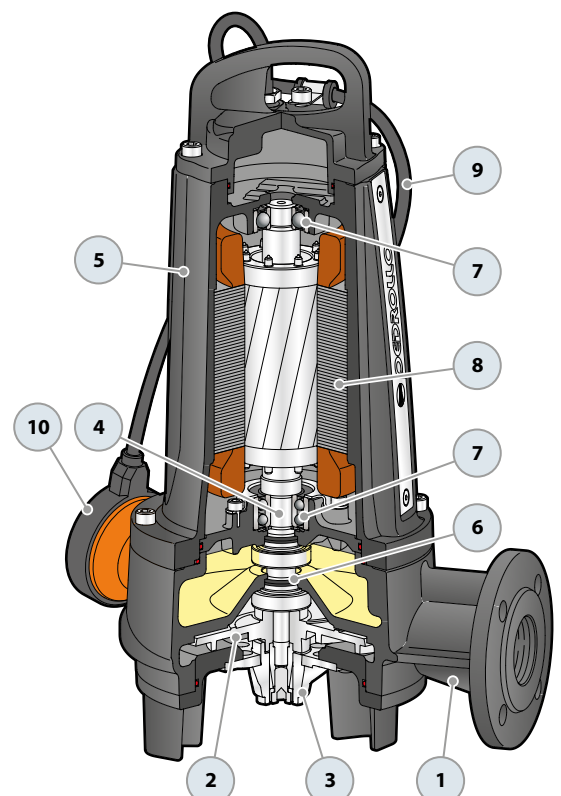
(for single-phase versions only)

11 CONTROL BOX

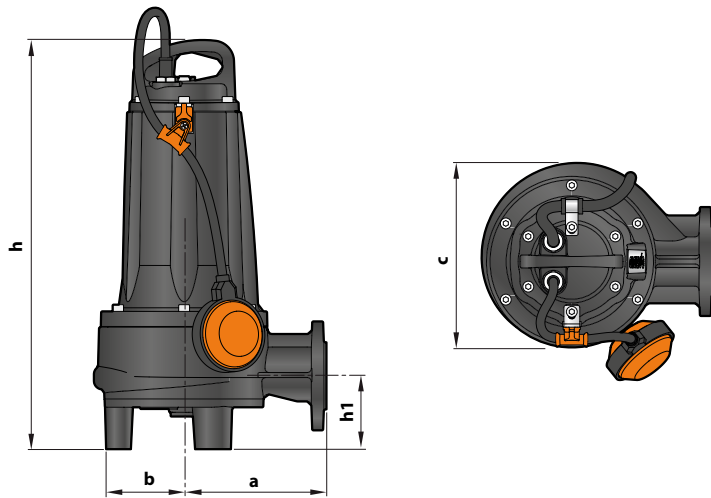
(for single-phase versions only)

With manual overload cut-out and with starting and operating capacitors.

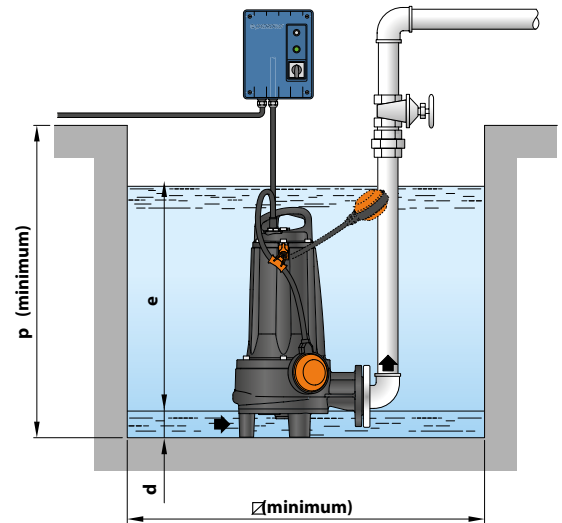
Standard equipment
Control box
(for single-phase versions only)



DIMENSIONS AND WEIGHTS



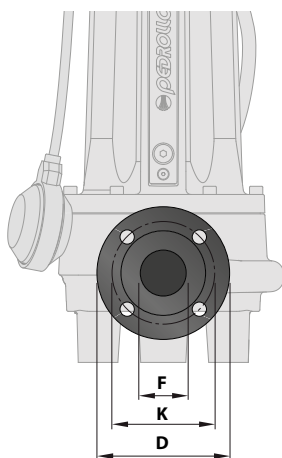
Typical installation (for single-phase version)



| MODEL | | DIMENSIONS mm | | | | | | | | | kg | |
|--------------|-------------|---------------|-----|-----|-----|------|----|------------|-----|-----|------|------|
| Single-phase | Three-phase | a | b | c | h | h1 | d | e | p | Ø | 1~ | 3~ |
| TRm 1.5 | TR 1.5 | 172 | 105 | 221 | 489 | 87.5 | 95 | adjustable | 800 | 800 | 45.0 | 44.0 |
| - | TR 2.2 | | | | | | | | | | - | 44.0 |

PORT FLANGE

| MODEL | | FLANGE | F | K | D | HOLES | |
|--------------|-------------|-------------|-----|-----|-----|-------|--------|
| Single-phase | Three-phase | DN | | mm | mm | No. | Ø (mm) |
| TRm 1.5 | TR 1.5 | 40 (PN6) | 1½" | 100 | 130 | 4 | 14 |
| - | TR 2.2 | | | | | | |



ABSORPTION

| MODEL | VOLTAGE |
|--------------|---------|
| Single-phase | 230 V |
| TRm 1.5 | 10.0 A |

| MODEL | VOLTAGE |
|-------------|---------|
| Three-phase | 400 V |
| TR 1.5 | 3.7 A |
| TR 2.2 | 5.5 A |

CAPACITOR

| MODEL | CAPACITY | |
|----------------------------------|---|--|
| Single phase (230 V or 240 V) | Capacitance of the operating capacitor | Capacitance of the starting capacitor |
| TRm 1.5 | 50 µF 450 VL | 80 µF 450 VL |

PALLETIZATION

| MODEL | PER GROUPAGE |
|---------|--------------|
| | no. of pumps |
| TRm 1.5 | 10 |
| TR 1.5 | 12 |
| TR 2.2 | 12 |

TRITUS 2.2 ÷ 4

POS. COMPONENT CONSTRUCTION CHARACTERISTICS

| | | |
|---|----------------------|--|
| 1 | PUMP BODY | Cast iron with an epoxy electro coating treatment, with threaded port in compliance with ISO 228/1 |
| 2 | IMPELLER | Precision cast stainless steel AISI 304 open type |
| 3 | GRINDER | Hardened AISI 440C stainless steel |
| 4 | MOTOR SHAFT | Stainless steel AISI 431 |
| 5 | MOTOR CASING | Cast iron with cataphoresis treatment |
| 6 | MOTOR BRACKET | Cast iron with cataphoresis treatment |

7 SHAFT WITH DOUBLE MECHANICAL SEAL SEPARATED BY AN OIL CHAMBER

| Seal Model | Shaft Diameter | Position | Materials | | |
|---------------|-------------------|------------|-----------------|-----------------|-----------|
| | | | Stationary ring | Rotational ring | Elastomer |
| STA-24 | Ø 24 mm | Motor side | Ceramic | Graphite | NBR |
| STA-22 | Ø 22 mm | Pump side | Silicon carbide | Silicon carbide | NBR |

8 BEARINGS 3305 B-2RS-EA5 / 6204-ZZ-EA3

9 ELECTRIC MOTOR

TRm: single-phase 230 V - 50 Hz
with thermal overload protector incorporated into the winding

TR: three-phase 400 V - 50 Hz
with thermal overload protector incorporated into the winding to connect to the control box

- Insulation: class F
- Protection: IP X8

10 POWER CABLE

"H07 RN-F" type
Standard length 10 metres

11 EXTERNAL FLOAT SWITCH

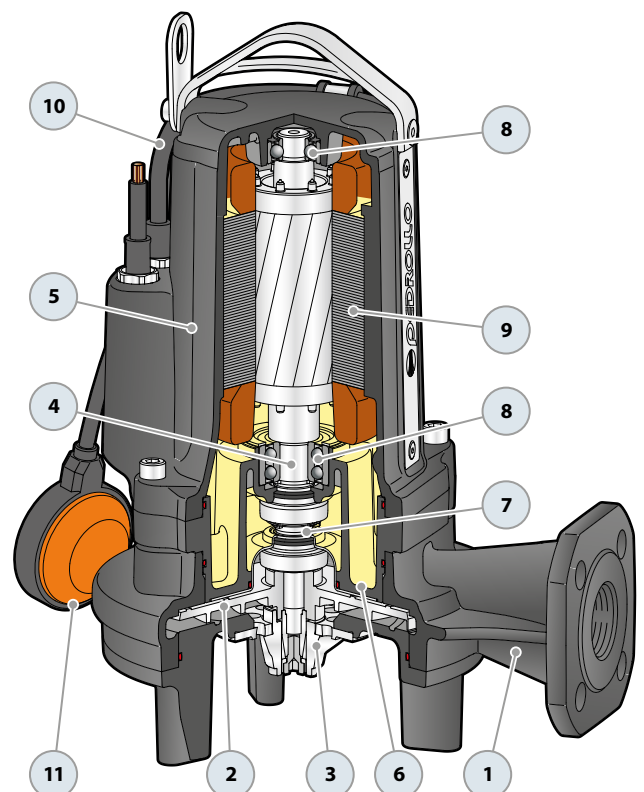
(for single-phase versions only)

12 CONTROL BOX

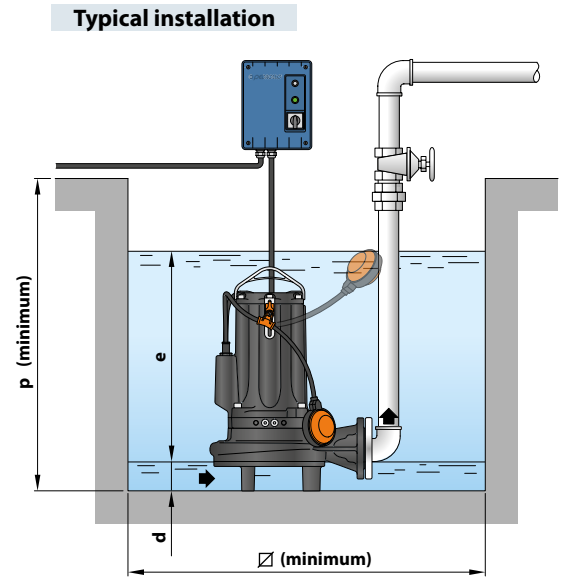
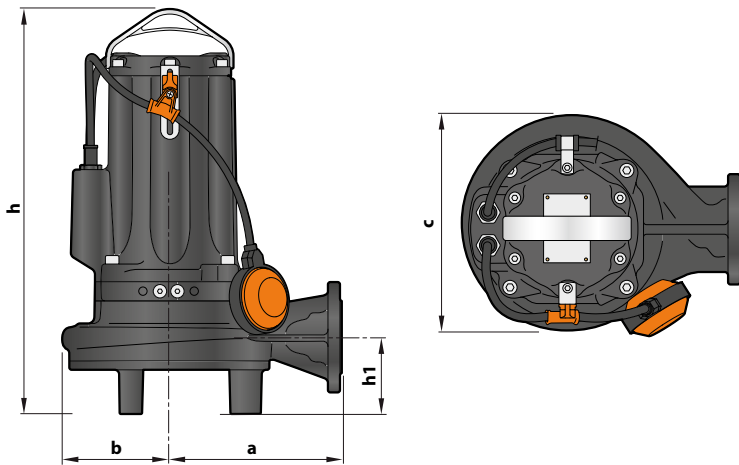
(for single-phase versions only)

With manual overload cut-out and with starting and operating capacitors.

**Standard equipment
Control box**
(for single-phase versions only)



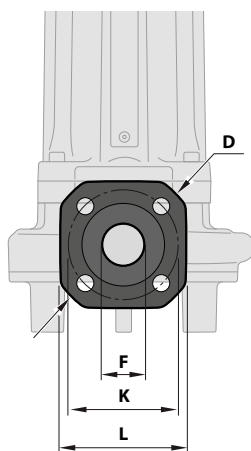
DIMENSIONS AND WEIGHTS



| MODEL | | DIMENSIONS mm | | | | | | | | | kg | |
|--------------|-------------|---------------|-----|-----|-----------|----|----|------------|-----|-----|------|------|
| Single-phase | Three-phase | a | b | c | h | h1 | d | e | p | Ø | 1~ | 3~ |
| TRm 2.2 AP | TR 2.2 AP | 203 | 126 | 256 | 480 453 | 90 | 95 | adjustable | 800 | 800 | 53.5 | 47.0 |
| - | TR 3 AP | | | | 480 | | | | | | - | 53.0 |
| - | TR 3 | | | | - | | | | | | 53.0 | |
| - | TR 4 | | | | - | | | | | | 54.0 | |

PORT FLANGE

| MODEL | | FLANGE | F | K | D | L | HOLES | |
|--------------|-------------|--------------|-----|-----|-----|-----|-------|------|
| Single-phase | Three-phase | DN | | mm | mm | mm | No. | Ø mm |
| TRm 2.2 AP | TR 2.2 AP | 40 (PN10) | 1½" | 110 | 150 | 130 | 4 | 18 |
| - | TR 3 AP | | | | | | | |
| - | TR 3 | | | | | | | |
| - | TR 4 | | | | | | | |



ABSORPTION

| MODEL | VOLTAGE |
|--------------|---------|
| Single-phase | 230 V |
| TRm 2.2 AP | 14.0 A |

| MODEL | VOLTAGE |
|-------------|---------|
| Three-phase | 400 V |
| TR 2.2 AP | 5.5 A |
| TR 3 AP | 6.3 A |
| TR 3 | 6.3 A |
| TR 4 | 7.5 A |

CAPACITOR

| MODEL | CAPACITY | |
|----------------------------------|---|--|
| Single-phase (230 V or 240 V) | Capacitance of the operating capacitor | Capacitance of the starting capacitor |
| TRm 2.2 AP | 60 µF 450 VL | 120 µF 450 VL |

PALLETIZATION

| MODEL | PER GROUPAGE |
|-----------|--------------|
| | no. of pumps |
| TR 2.2 AP | 18 |
| TR 3 AP | 18 |
| TR 3 | 18 |
| TR 4 | 18 |

SEWAGE LIFTING SYSTEM

HORIZONTAL DELIVERY VERSION WITH 3/4" GUIDE TUBES

| | | |
|--|-------------------|--------------|
| For TR 0.75, TR 0.9, TR 1.1, TR 1.3 | Code ASSPTRITUS11 | DN 2" |
| For TR 1.5, TR 2.2 | Code ASSPTRITUS22 | DN 2" |

Kit consisting of:

- 1) footing connection
- 2) slide guide
(with ring nut and seal for TR 0.75, TR 0.9, TR 1.1, TR 1.3,
with screws and seal for TR 1.5 and TR 2.2)
- 3) support for the guide tubes



VERTICAL DELIVERY VERSION WITH 3/4" GUIDE TUBES

| | | |
|--|--------------------|---------------|
| For TR 0.75, TR 0.9, TR 1.1, TR 1.3 | Code ASSPTRITUS11V | DN 2½" |
| For TR 1.5, TR 2.2 | Code ASSPTRITUS22V | DN 2½" |

Kit consisting of:

- 1) footing connection complete with counterflange
- 2) slide guide
(with ring nut and seal for TR 0.75, TR 0.9, TR 1.1, TR 1.3,
with screws and seal for TR 1.5 e TR 2.2)
- 3) support for the guide tubes



ORDERABLE ACCESSORIES

SLIDE GUIDE (can also be ordered separately)

| | |
|--|---------------|
| For TR 0.75, TR 0.9, TR 1.1, TR 1.3 | Code ASSFL003 |
| For TR 1.5, TR 2.2 | Code ASSFL004 |

With ring nut and seal for TR 0.75, TR 0.9, TR 1.1, TR 1.3

With screws and seal for TR 1.5, TR 2.2



INTERMEDIATE SUPPORT (on request)

| | |
|------------------------|--------------------|
| For guide tubes Ø 3/4" | Code 859SV340INTFA |
|------------------------|--------------------|



In order to ensure stability, insert the intermediate support every 2 metres of the guide tube

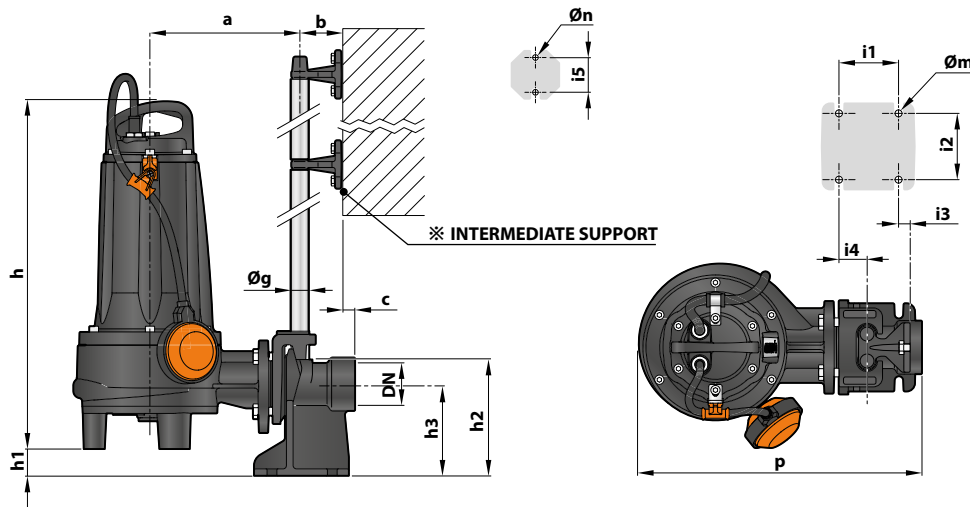
GUIDE TUBE (made of AISI 304 stainless steel)

| | |
|-------------------|-----------------|
| Guide tube Ø 3/4" | Code 54SARTG005 |
|-------------------|-----------------|



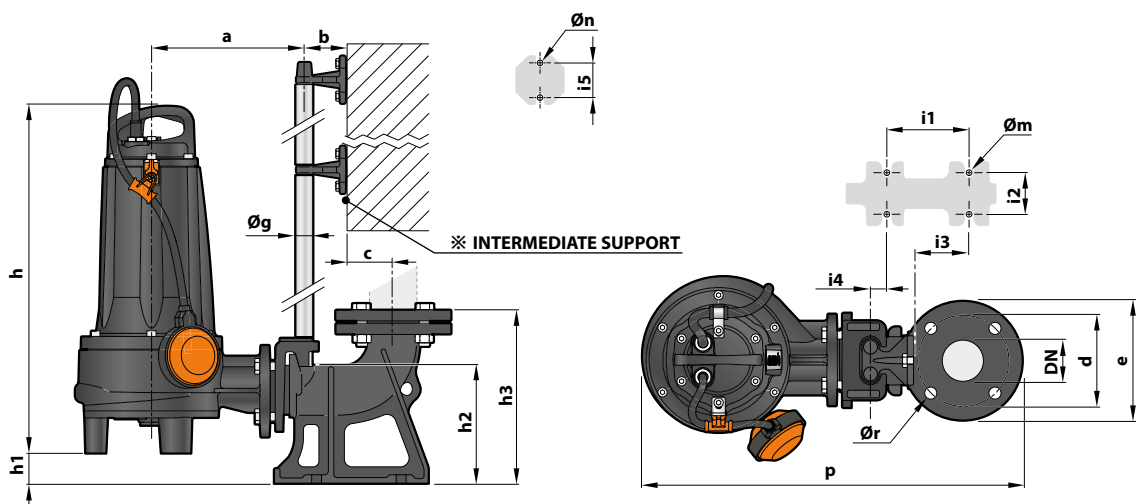
Maximum tube length: 6 metres

DIMENSIONS (horizontal delivery version)



| MODEL | | PORT DN | Solids mm | DIMENSIONS mm | | | | | | | | | | | | | | |
|--------------|-------------|------------|--------------|---------------|----|----|-----|------|-----|-----|----|----|----|----|----|----|----|----|
| Single-phase | Three-phase | | | a | b | c | p | h1 | h2 | h3 | i1 | i2 | i3 | i4 | i5 | Øg | Øm | Øn |
| TRm 0.75 | TR 0.75 | 2" | Ø 7 | 212 | 61 | 17 | 395 | 50 | 165 | 130 | 85 | 94 | 16 | 40 | 50 | ¾" | 14 | 11 |
| TRm 0.9 | TR 0.9 | | | | | | | | | | | | | | | | | |
| TRm 1.1 | TR 1.1 | | | | | | | | | | | | | | | | | |
| TRm 1.3 | TR 1.3 | | | | | | | | | | | | | | | | | |
| TRm 1.5 | TR 1.5 | 2" | Ø 7 | 215 | 61 | 17 | 400 | 42.5 | 165 | 130 | 85 | 94 | 16 | 40 | 50 | ¾" | 14 | 11 |
| - | TR 2.2 | | | | | | | | | | | | | | | | | |

DIMENSIONS (vertical delivery version)



| MODEL | | PORT DN | Solids mm | DIMENSIONS mm | | | | | | | | | | | | | | | | | |
|--------------|-------------|------------|--------------|---------------|----|------|-----|-----|-----|----|-------|-------|-----|----|----|----|----|----|----|----|----|
| Single-phase | Three-phase | | | a | b | c | d | e | p | h1 | h2 | h3 | i1 | i2 | i3 | i4 | i5 | Øg | Øm | Øn | Ør |
| TRm 0.75 | TR 0.75 | 2½" | Ø 7 | 206 | 61 | 51.5 | 125 | 165 | 505 | 48 | 163.5 | 215.5 | 120 | 72 | 62 | 3 | 50 | ¾" | 14 | 11 | 18 |
| TRm 0.9 | TR 0.9 | | | | | | | | | | | | | | | | | | | | |
| TRm 1.1 | TR 1.1 | | | | | | | | | | | | | | | | | | | | |
| TRm 1.3 | TR 1.3 | | | | | | | | | | | | | | | | | | | | |
| TRm 1.5 | TR 1.5 | 2½" | Ø 7 | 211 | 61 | 51.5 | 125 | 165 | 514 | 40 | 163.5 | 215.5 | 120 | 72 | 62 | 3 | 50 | ¾" | 14 | 11 | 18 |
| - | TR 2.2 | | | | | | | | | | | | | | | | | | | | |

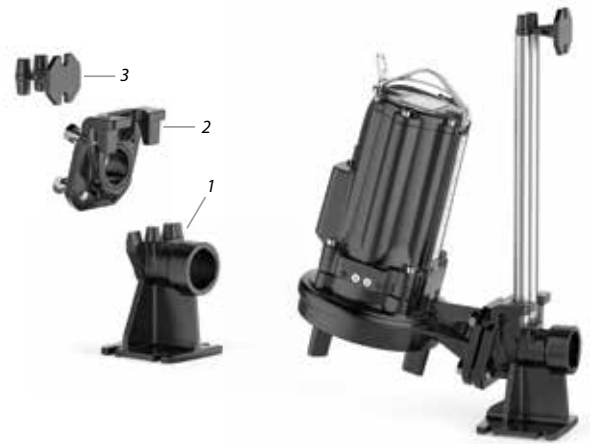
SEWAGE LIFTING SYSTEM

HORIZONTAL DELIVERY VERSION WITH 3/4" GUIDE TUBES

| | | |
|---|-------------------|--------------|
| For TR 2.2. AP, TR 3 AP, TR 3, TR4 | Code ASSPTRITUS61 | DN 2" |
|---|-------------------|--------------|

Kit consisting of:

- 1) footing connection
- 2) slide guide with screws and seal
- 3) support for the guide tubes



VERTICAL DELIVERY VERSION WITH 3/4" GUIDE TUBES

| | | |
|---|--------------------|------------------|
| For TR 2.2. AP, TR 3 AP, TR 3, TR4 | Code ASSPTRITUS61V | DN 2 1/2" |
|---|--------------------|------------------|

Kit consisting of:

- 1) footing connection complete with counterflange
- 2) slide guide with screws and seal
- 3) support for the guide tubes



ORDERABLE ACCESSORIES

SLIDE GUIDE (can also be ordered separately)

| | |
|---|---------------|
| For TR 2.2. AP, TR 3 AP, TR 3, TR4 | Code ASSFL014 |
|---|---------------|

With screws and seal



INTERMEDIATE SUPPORT (on request)

| | |
|------------------------|--------------------|
| For guide tubes Ø 3/4" | Code 859SV340INTFA |
|------------------------|--------------------|

In order to ensure stability, insert the intermediate support every 2 metres of the guide tube



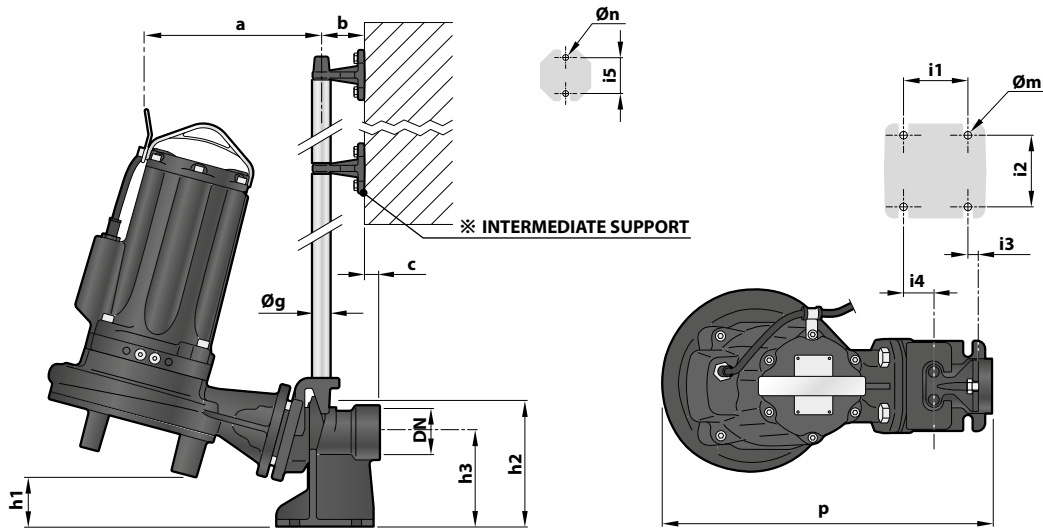
GUIDE TUBE (made of AISI 304 stainless steel)

| | |
|-------------------|-----------------|
| Guide tube Ø 3/4" | Code 54SARTG005 |
|-------------------|-----------------|

Maximum tube length: 6 metres

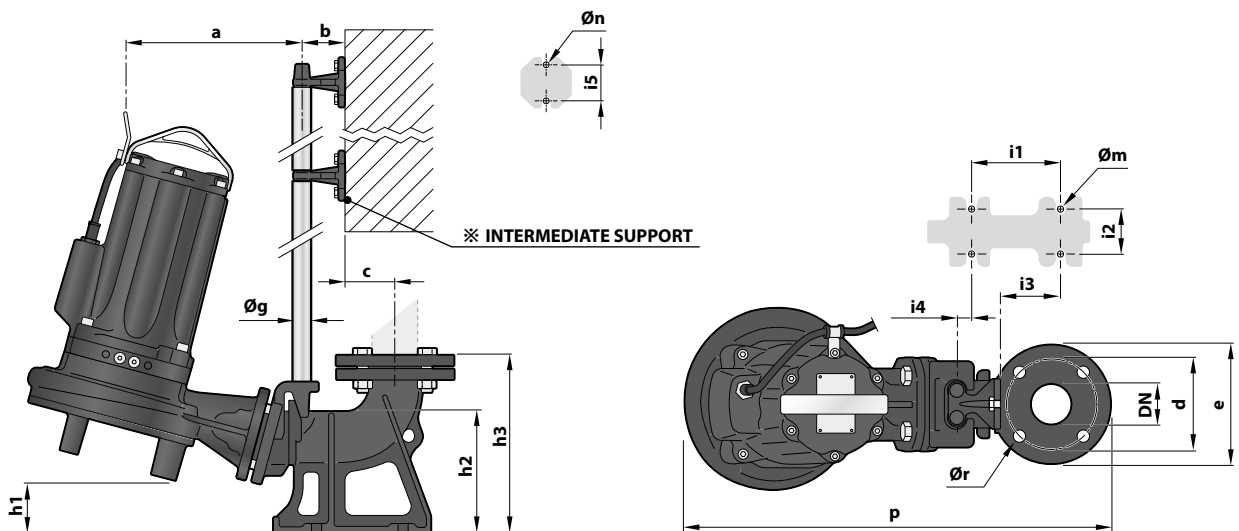


DIMENSIONS (horizontal delivery version)



| MODEL | PORT DN | Solids mm | DIMENSIONS mm | | | | | | | | | | | | | | |
|------------|------------|--------------|---------------|----|----|-----|----|-----|-----|----|----|----|----|----|-----|----|----|
| | | | a | b | c | p | h1 | h2 | h3 | i1 | i2 | i3 | i4 | i5 | Øg | Øm | Øn |
| TR 2.2. AP | 2" | Ø 7 | 228 | 61 | 17 | 455 | 71 | 165 | 130 | 85 | 94 | 16 | 40 | 50 | 3/4 | 14 | 11 |
| TR 3 AP | | | | | | | | | | | | | | | | | |
| TR 3 | | | | | | | | | | | | | | | | | |
| TR 4 | | | | | | | | | | | | | | | | | |

DIMENSIONS (vertical delivery version)



| MODEL | PORT DN | Solids mm | DIMENSIONS mm | | | | | | | | | | | | | | | | | |
|------------|------------|--------------|---------------|----|------|-----|-----|-----|----|-------|-------|-----|----|----|----|----|-----|----|----|----|
| | | | a | b | c | d | e | p | h1 | h2 | h3 | i1 | i2 | i3 | i4 | i5 | Øg | Øm | Øn | Ør |
| TR 2.2. AP | 2½" | Ø 7 | 225 | 61 | 51.5 | 125 | 165 | 569 | 69 | 163.5 | 215.5 | 120 | 72 | 62 | 3 | 50 | 3/4 | 14 | 11 | 18 |
| TR 3 AP | | | | | | | | | | | | | | | | | | | | |
| TR 3 | | | | | | | | | | | | | | | | | | | | |
| TR 4 | | | | | | | | | | | | | | | | | | | | |

*The data contained in this publication are not to be considered binding.
Pedrollo S.p.A. reserves the right to make any changes it deems appropriate to improve its production.*

Pedrollo S.p.A.

Via Enrico Fermi, 7 - 37047 San Bonifacio (Verona) Italy
tel. +39 045 6136311 - fax +39 045 7614663
vendite@pedrollo.com - sales@pedrollo.com - www.pedrollo.com

MADE IN ITALY

Z-DPL90081EN_02