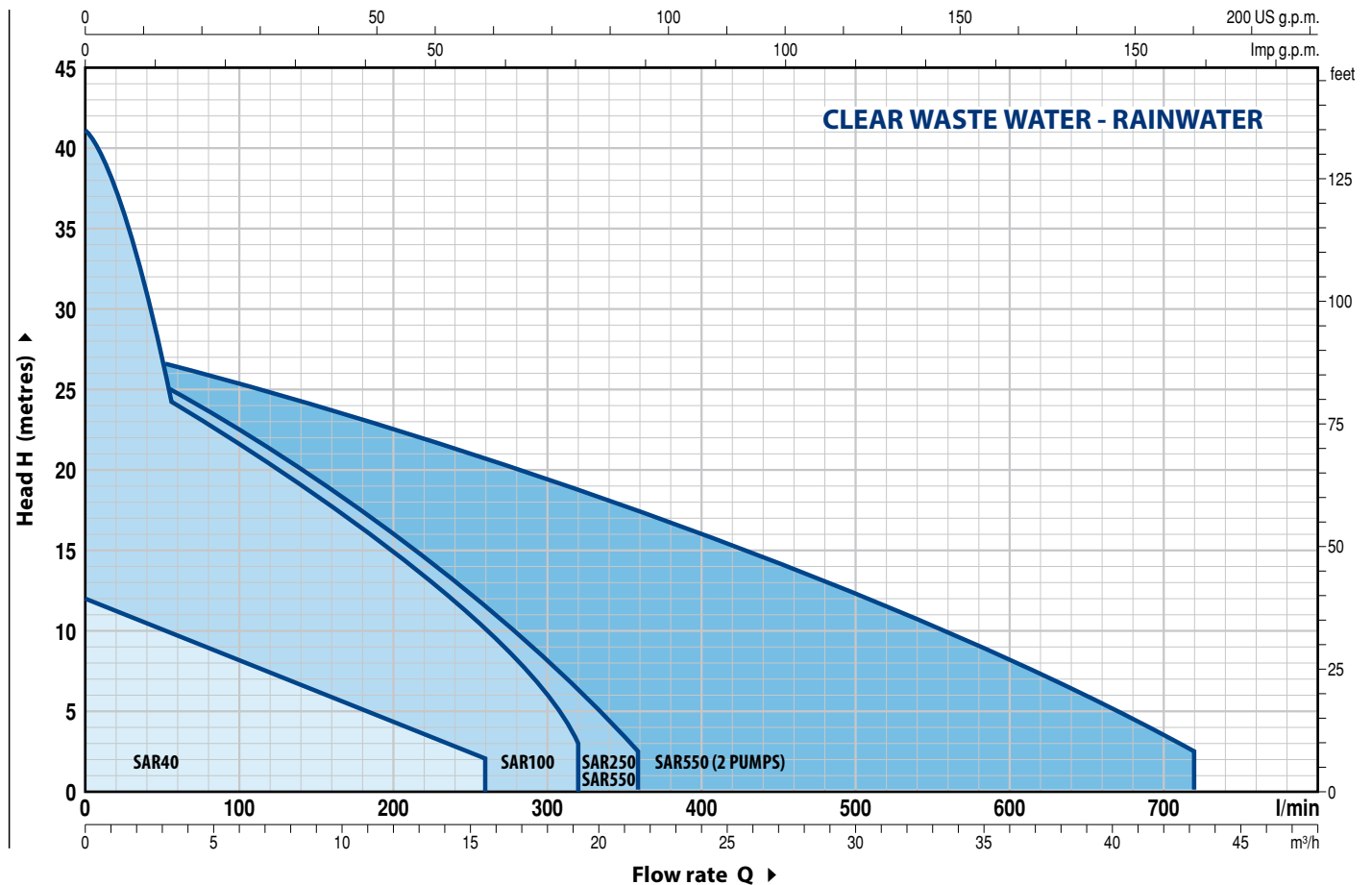


-  Domestic use
-  Agricultural use
-  Civil use



PERFORMANCE RANGE

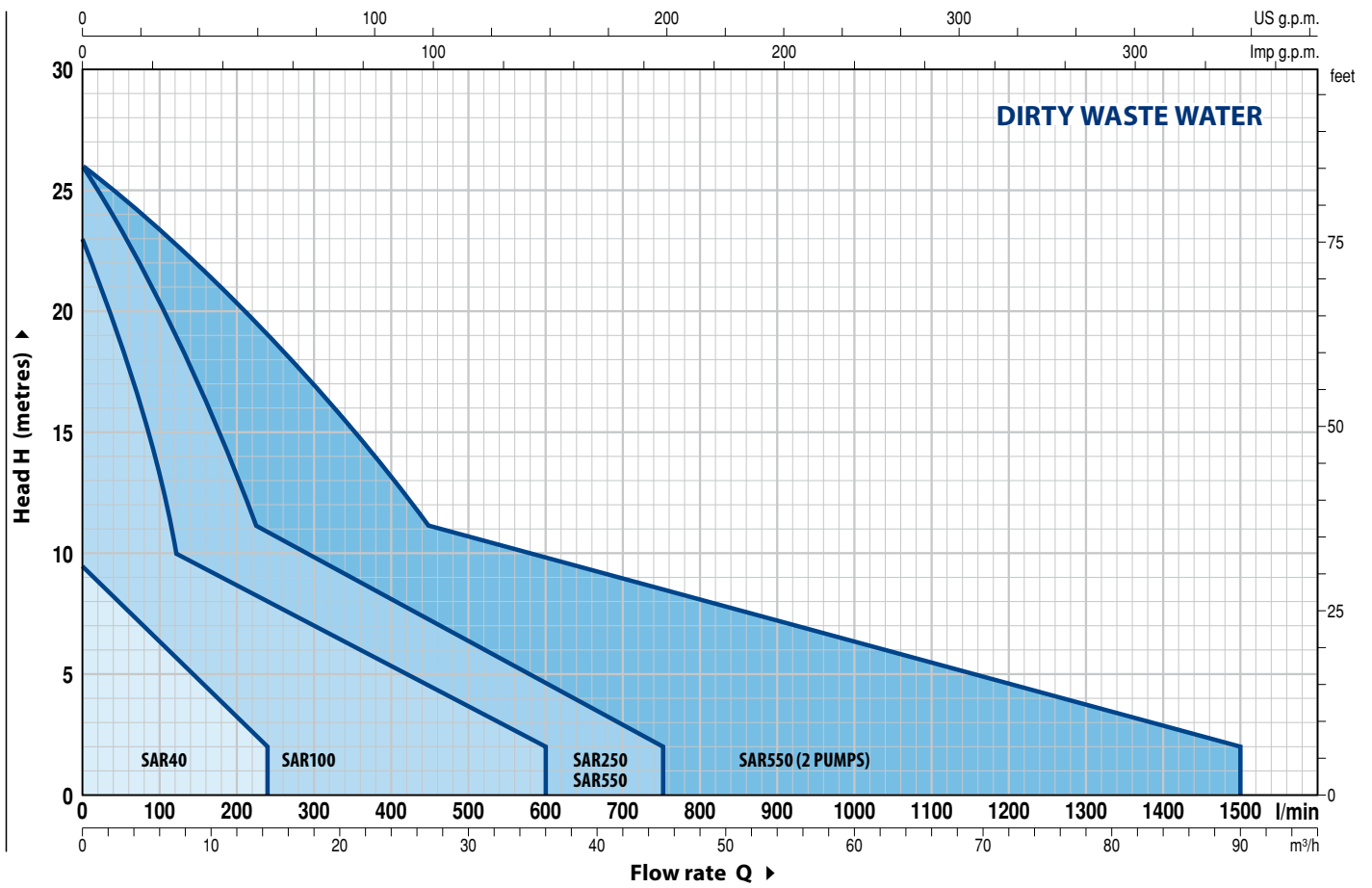
50 Hz n= 2900 min⁻¹





PERFORMANCE RANGE

50 Hz n= 2900 min⁻¹



CLEAR WASTE WATER - RAINWATER

| MODEL | POWER (P ₂) | | TANK CAPACITY litres | MAXIMUM FLOW RATE litres/min | MAXIMUM HEAD metres |
|----------------|-------------------------|------|-------------------------|---------------------------------|------------------------|
| | kW | HP | | | |
| SAR 40 - TOP 1 | 0.25 | 0.33 | 40 | 160 | 6 |
| SAR 40 - TOP 2 | 0.37 | 0.50 | 40 | 220 | 8 |
| SAR 40 - TOP 3 | 0.55 | 0.75 | 40 | 260 | 10 |
| SAR 40 - RXm 1 | 0.25 | 0.33 | 40 | 160 | 6.5 |
| SAR 40 - RXm 2 | 0.37 | 0.50 | 40 | 220 | 9.5 |
| SAR 40 - RXm 3 | 0.55 | 0.75 | 40 | 220 | 11.5 |



DIRTY WASTE WATER

| MODEL | POWER (P ₂) | | TANK CAPACITY litres | MAXIMUM FLOW RATE litres/min | MAXIMUM HEAD metres |
|-----------------------|-------------------------|------|-------------------------|---------------------------------|------------------------|
| | kW | HP | | | |
| SAR 40 - TOP 2-VORTEX | 0.37 | 0.50 | 40 | 180 | 6.5 |
| SAR 40 - TEX 2 | 0.37 | 0.50 | 40 | 200 | 7.5 |
| SAR 40 - TEX 3 | 0.55 | 0.75 | 40 | 240 | 9.5 |
| SAR 40 - RXm2/20 | 0.37 | 0.50 | 40 | 180 | 6.5 |

COMPONENTS

- 40 litres polyethylene tank with cover plate
- Pump complete with float switch
- Power cable: supplied with standard 5 metres cable with Schuko plug (EN 60335-2-41 standard states that the power cable must be 10 metres long for outside use)
- Non-return valve
- Accumulation stations with inlet tube 1½" gas, outlet 1¼" gas and vent ½" gas

CLEAR WASTE WATER - RAINWATER



| MODEL | POWER (P ₂) | | TANK CAPACITY litres | MAXIMUM FLOW RATE litres/min | MAXIMUM HEAD metres |
|-----------------------|-------------------------|------|-------------------------|---------------------------------|------------------------|
| | kW | HP | | | |
| SAR 100 - TOP 2 | 0.37 | 0.50 | 100 | 220 | 8 |
| SAR 100 - TOP 3 | 0.55 | 0.75 | 100 | 260 | 10 |
| SAR 100 - TOP 4 | 0.75 | 1 | 100 | 320 | 12.5 |
| SAR 100 - TOP MULTI 1 | 0.37 | 0.50 | 100 | 70 | 25 |
| SAR 100 - TOP MULTI 2 | 0.55 | 0.75 | 100 | 80 | 40 |
| SAR 100 - TOP MULTI 3 | 0.55 | 0.75 | 100 | 120 | 32 |
| SAR 100 - RXm 2 | 0.37 | 0.50 | 100 | 220 | 9.5 |
| SAR 100 - RXm 3 | 0.55 | 0.75 | 100 | 220 | 11.5 |
| SAR 100 - Dm 10 | 0.75 | 1 | 100 | 300 | 15.5 |
| SAR 100 - Dm 20 | 0.75 | 1 | 100 | 250 | 19 |
| SAR 100 - Dm 30 | 1.1 | 1.5 | 100 | 275 | 26 |

DIRTY WASTE WATER

| MODEL | POWER (P ₂) | | TANK CAPACITY litres | MAXIMUM FLOW RATE litres/min | MAXIMUM HEAD metres |
|------------------------|-------------------------|------|-------------------------|---------------------------------|------------------------|
| | kW | HP | | | |
| SAR 100 - TOP 2-VORTEX | 0.37 | 0.50 | 100 | 180 | 6.5 |
| SAR 100 - TOP 3-VORTEX | 0.55 | 0.75 | 100 | 180 | 8 |
| SAR 100 - RXm 2/20 | 0.37 | 0.50 | 100 | 180 | 6.5 |
| SAR 100 - RXm 3/20 | 0.55 | 0.75 | 100 | 180 | 8 |
| SAR 100 - ZXm 2/30 | 0.55 | 0.75 | 100 | 320 | 12.5 |
| SAR 100 - ZXm 2/40 | 0.55 | 0.75 | 100 | 400 | 11 |
| SAR 100 - VXm 8/35 | 0.55 | 0.75 | 100 | 350 | 8 |
| SAR 100 - VXm 10/35 | 0.75 | 1 | 100 | 400 | 10 |
| SAR 100 - VXm 8/50 | 0.55 | 0.75 | 100 | 450 | 6 |
| SAR 100 - VXm 10/50 | 0.75 | 1 | 100 | 550 | 8.5 |
| SAR 100 - BCm 10/50 | 0.75 | 1 | 100 | 600 | 11 |

SAR 100 WITH GRINDER PUMPS (TRITUS)

| | | | | | |
|--------------------|------|-----|-----|-----|------|
| SAR 100 - TRm 0.75 | 0.75 | 1 | 100 | 120 | 15.5 |
| SAR 100 - TRm 1.1 | 1.1 | 1.5 | 100 | 120 | 22 |

COMPONENTS

- 100 litres polyethylene tank with cover plate
- Pump complete with float switch
- Power cable: supplied with standard 10 metres cable with Schuko plug
- Control box (only for SAR 100-TR)
- Accumulation stations with inlet tube Ø 110 mm, outlet 1¼" or 1½" or 2" gas and vent Ø 50 mm

CLEAR WASTE WATER - RAINWATER

| MODEL | POWER (P ₂) | | TANK CAPACITY litres | MAXIMUM FLOW RATE litres/min | MAXIMUM HEAD metres |
|-----------------|-------------------------|------|-------------------------|---------------------------------|------------------------|
| | kW | HP | | | |
| SAR 250 - TOP 3 | 0.55 | 0.75 | 250 | 260 | 10 |
| SAR 250 - TOP 4 | 0.75 | 1 | 250 | 320 | 12.5 |
| SAR 250 - TOP 5 | 0.92 | 1.25 | 250 | 360 | 15 |
| SAR 250 - RXm 3 | 0.55 | 0.75 | 250 | 220 | 11.5 |
| SAR 250 - RXm 4 | 0.75 | 1 | 250 | 260 | 15 |
| SAR 250 - RXm 5 | 1.1 | 1.5 | 250 | 300 | 19.5 |
| SAR 250 - Dm 10 | 0.75 | 1 | 250 | 300 | 15.5 |
| SAR 250 - Dm 20 | 0.75 | 1 | 250 | 250 | 19 |
| SAR 250 - Dm 30 | 1.1 | 1.5 | 250 | 275 | 26 |



DIRTY WASTE WATER

| MODEL | POWER (P ₂) | | TANK CAPACITY litres | MAXIMUM FLOW RATE litres/min | MAXIMUM HEAD metres |
|------------------------|-------------------------|------|-------------------------|---------------------------------|------------------------|
| | kW | HP | | | |
| SAR 250 - TOP 2-VORTEX | 0.37 | 0.50 | 250 | 180 | 6.5 |
| SAR 250 - TOP 3-VORTEX | 0.55 | 0.75 | 250 | 180 | 8 |
| SAR 250 - RXm 3/20 | 0.55 | 0.75 | 250 | 180 | 8 |
| SAR 250 - RXm 4/40 | 0.75 | 1 | 250 | 280 | 9.5 |
| SAR 250 - RXm 5/40 | 1.1 | 1.5 | 250 | 380 | 12.5 |
| SAR 250 - VXm10/35-ST | 0.75 | 1 | 250 | 400 | 10.5 |
| SAR 250 - VXm10/50-ST | 0.75 | 1 | 250 | 550 | 9.5 |
| SAR 250 - BCm 10/50-ST | 0.75 | 1 | 250 | 600 | 11 |
| SAR 250 - VXm 10/35 | 0.75 | 1 | 250 | 400 | 10 |
| SAR 250 - VXm 15/35 | 1.1 | 1.5 | 250 | 500 | 13.5 |
| SAR 250 - VXm 10/50 | 0.75 | 1 | 250 | 550 | 8.5 |
| SAR 250 - VXm 15/50 | 1.1 | 1.5 | 250 | 650 | 11 |
| SAR 250 - BCm 10/50 | 0.75 | 1 | 250 | 600 | 11 |
| SAR 250 - BCm 15/50 | 1.1 | 1.5 | 250 | 750 | 14 |

SAR 250 WITH GRINDER PUMPS (TRITUS)

| | | | | | |
|--------------------|------|-----|-----|-----|------|
| SAR 250 - TRm 0.75 | 0.75 | 1 | 250 | 120 | 15.5 |
| SAR 250 - TRm 1.1 | 1.1 | 1.5 | 250 | 120 | 22 |
| SAR 250 - TRm 1.5 | 1.5 | 2 | 250 | 260 | 25 |

COMPONENTS

- **250 litres** polyethylene tank with cover plate
- Pump complete with float switch
- Power cable: supplied with standard 10 metres cable with Schuko plug
- Control box (only for SAR 250-TR)
- Accumulation stations with inlet tube Ø 110 mm, outlet 1¼" or 1½" or 2" gas and vent DN 50 or DN 75
- Coupling support and guide tubes for lowering of pump (only for VX-ST and BC-ST)

OPTIONS AVAILABLE ON REQUEST

- **Alarm KIT** (Cod. KSKIT-ALLARME)
IIKit includes: control box, self-powered siren, float
- **300 mm extension kit** (Cod. KSKIT-308MA)
Kit includes: extension kit for the installation of the polyethylene "SAR" tank at greater depths
- **"SAR" stations with ball check valves and ball valve in the discharge pipe**

CLEAR WASTE WATER - RAINWATER

| MODEL | POWER (P ₂) | | TANK CAPACITY litres | MAXIMUM FLOW RATE (1 pump) litres/min | MAXIMUM HEAD metres |
|-----------------|-------------------------|------|-------------------------|---|------------------------|
| | kW | HP | | | |
| SAR 550 - TOP 4 | 0.75 | 1 | 550 | 320 | 12.5 |
| SAR 550 - TOP 5 | 0.92 | 1.25 | 550 | 360 | 15 |
| SAR 550 - RXm 4 | 0.75 | 1 | 550 | 260 | 15 |
| SAR 550 - RXm 5 | 1.1 | 1.5 | 550 | 300 | 19.5 |
| SAR 550 - Dm 10 | 0.75 | 1 | 550 | 300 | 15.5 |
| SAR 550 - Dm 20 | 0.75 | 1 | 550 | 250 | 19 |
| SAR 550 - Dm 30 | 1.1 | 1.5 | 550 | 275 | 26 |



DIRTY WASTE WATER

| MODEL | POWER (P ₂) | | TANK CAPACITY litres | MAXIMUM FLOW RATE (1 pump) litres/min | MAXIMUM HEAD metres |
|--|-------------------------|-----|-------------------------|---|------------------------|
| | kW | HP | | | |
| SAR 550 - RXm 4/40 | 0.75 | 1 | 550 | 280 | 9.5 |
| SAR 550 - RXm 5/40 | 1.1 | 1.5 | 550 | 380 | 12.5 |
| SAR 550 - VXm 10/35-ST | 0.75 | 1 | 550 | 400 | 10.5 |
| SAR 550 - VXm 10/50-ST | 0.75 | 1 | 550 | 550 | 9.5 |
| SAR 550 - BCm10/50-ST | 0.75 | 1 | 550 | 600 | 11 |
| SAR 550 - VXm 10/35 | 0.75 | 1 | 550 | 400 | 10 |
| SAR 550 - VXm 15/35 | 1.1 | 1.5 | 550 | 500 | 13.5 |
| SAR 550 - VXm 10/50 | 0.75 | 1 | 550 | 550 | 8.5 |
| SAR 550 - VXm 15/50 | 1.1 | 1.5 | 550 | 650 | 11 |
| SAR 550 - VX 15/50 (*) | 1.1 | 1.5 | 550 | 650 | 11 |
| SAR 550 - BCm 10/50 | 0.75 | 1 | 550 | 600 | 11 |
| SAR 550 - BC 15/50 | 1.1 | 1.5 | 550 | 750 | 14 |
| SAR 550 - BC 15/50 (*) | 1.1 | 1.5 | 550 | 750 | 14 |
| SAR 550 WITH GRINDER PUMPS (TRITUS) | | | | | |
| SAR 550 - TRm 0.75 | 0.75 | 1 | 550 | 120 | 15.5 |
| SAR 550 - TRm 1.1 | 1.1 | 1.5 | 550 | 120 | 22 |
| SAR 550 - TR 1.1 (*) | 1.1 | 1.5 | 550 | 120 | 22 |
| SAR 550 - TRm 1.5 | 1.5 | 2 | 550 | 260 | 25 |

COMPONENTS

- **550 litre** polyethylene tank with two lids
- Two single-phase pumps (* two three-phase pumps)
- Power cable: supplied with standard 10 metres cable
- Control box
- Three floats for: 1) alternating switch-on of one of the two pumps, 2) maximum level with switch-on of second pump, 3) minimum level with switch-off of pumps
- Accumulation stations with two inlet tubes Ø 110 mm, outlet 1¼" or 1½" or 2" gas and vent DN 50 or DN 75
- Coupling support and guide tubes for lowering of pump (only for VX-ST and BC-ST)

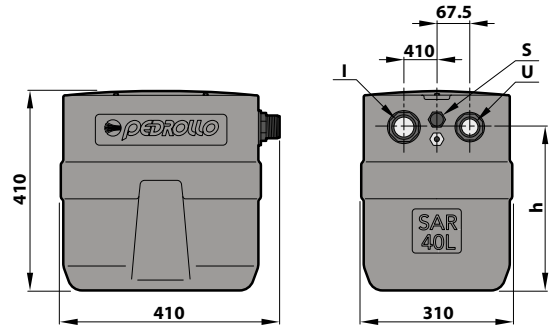
OPTIONS AVAILABLE ON REQUEST

- **Alarm KIT** (Cod. KSKIT-ALLARME)
Kit includes: control box, self-powered siren, float
- **300 mm extension kit** (Cod. KSKIT-308MA)
Kit includes: extension kit for the installation of the polyethylene "SAR" tank at greater depths
ATTENTION: the tank is fitted with two lids
- **"SAR" stations with ball check valves and ball valve in the discharge pipe**

DIMENSIONS AND WEIGHT

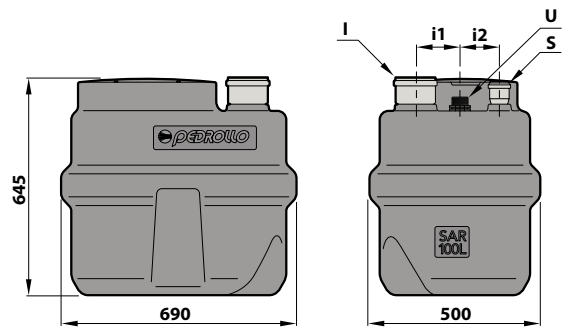
| MODEL | PORTS | | | h | kg |
|-----------------------|-------|------------------|----|-----|------|
| | I | U ⁽¹⁾ | S | | |
| SAR 40 - TOP 1 | 1½" | 1¼" | ½" | 305 | 14.0 |
| SAR 40 - TOP 2 | | | | | 14.7 |
| SAR 40 - TOP 3 | | | | 335 | 16.1 |
| SAR 40 - RXm 1 | | | | 305 | 14.2 |
| SAR 40 - RXm 2 | | | | | 15.3 |
| SAR 40 - RXm 3 | | | | 335 | 16.9 |
| SAR 40 - TOP 2-VORTEX | | | | | 14.6 |
| SAR 40 - TEX 2 | | | | | 15.8 |
| SAR 40 - TEX 3 | | | | | 16.5 |
| SAR 40 - RXm 2/20 | | | | | 15.6 |

⁽¹⁾ Male threaded fitting



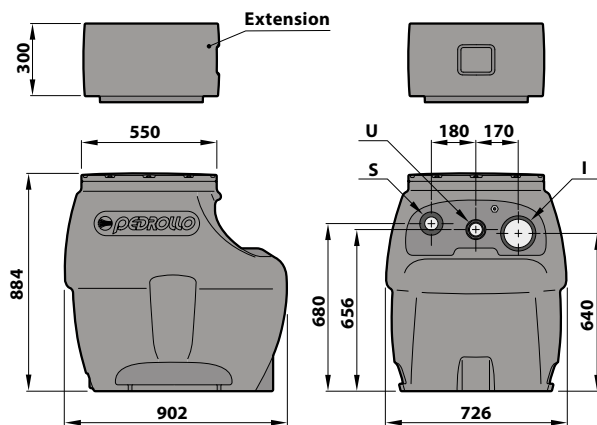
| MODEL | PORTS | | | i1 | i2 | kg |
|------------------------|--------|------------------|-------|-----|-----|------|
| | I | U ⁽¹⁾ | S | | | |
| SAR 100 - TOP 2 | DN 110 | 1¼" | DN 50 | 145 | 100 | 28.7 |
| SAR 100 - TOP 3 | | | | | | 30.1 |
| SAR 100 - TOP 4 | | 1½" | | | | 33.7 |
| SAR 100 - TOP MULTI 1 | | 1¼" | | | | 30.3 |
| SAR 100 - TOP MULTI 2 | | | | | | 32.9 |
| SAR 100 - TOP MULTI 3 | | | | | | 32.9 |
| SAR 100 - RXm 2 | | 1½" | | | | 29.3 |
| SAR 100 - RXm 3 | | | | | | 29.6 |
| SAR 100 - Dm 10 | | 1½" | | | | 36.6 |
| SAR 100 - Dm 20 | | | | | | 36.6 |
| SAR 100 - Dm 30 | | | | | | 38.6 |
| SAR 100 - TOP 2-VORTEX | | 1¼" | | | | 28.7 |
| SAR 100 - TOP 3-VORTEX | | | | | | 30.1 |
| SAR 100 - RXm 2/20 | | 1½" | | | | 29.6 |
| SAR 100 - RXm 3/20 | | | | | | 29.8 |
| SAR 100 - ZXm 2/30 | | | | | | 29.6 |
| SAR 100 - ZXm 2/40 | | | | | | 30.4 |
| SAR 100 - VXm 8/35 | | | | | | 36.4 |
| SAR 100 - VXm 10/35 | | | | | | 37.2 |
| SAR 100 - VXm 8/50 | | | | | | 36.9 |
| SAR 100 - VXm 10/50 | 2" | | 37.7 | | | |
| SAR 100 - BCm 10/50 | 38.4 | | | | | |
| SAR 100 - TRm 0.75 | 1¼" | | 46.0 | | | |
| SAR 100 - TRm 1.1 | | 47.6 | | | | |

⁽¹⁾ Male threaded fitting

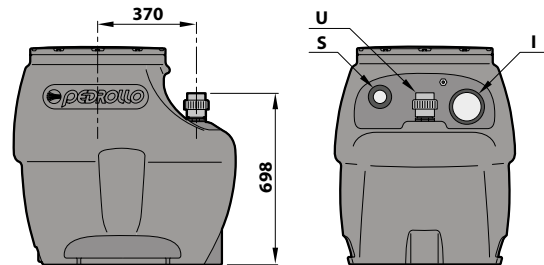


DIMENSIONS AND WEIGHT

| MODEL | PORTS | | | kg | |
|------------------------|--------|------------------|-------|-------|------|
| | I | U ⁽¹⁾ | S | | |
| SAR 250 - TOP 3 | DN 110 | 1¼" | DN 50 | 42.6 | |
| SAR 250 - TOP 4 | | 1½" | | 46.2 | |
| SAR 250 - TOP 5 | | 1½" | | 46.2 | |
| SAR 250 - RXm 3 | | 1¼" | | 47.0 | |
| SAR 250 - RXm 4 | | 1½" | | 50.0 | |
| SAR 250 - RXm 5 | | | | 51.0 | |
| SAR 250 - Dm 10 | | | | 51.2 | |
| SAR 250 - Dm 20 | | | | 53.5 | |
| SAR 250 - Dm 30 | | | | 51.2 | |
| SAR 250 - TOP 2-VORTEX | | | | 1¼" | 44.0 |
| SAR 250 - TOP 3-VORTEX | | | | | 46.0 |
| SAR 250 - RXm 3/20 | | 45.0 | | | |
| SAR 250 - RXm 4/40 | | 1½" | | 53.0 | |
| SAR 250 - RXm 5/40 | | | | 53.0 | |
| SAR 250 - VXm10/35-ST | | 2" | | 60.0 | |
| SAR 250 - VXm10/50-ST | | | | 60.0 | |
| SAR 250 - BCm10/50-ST | | 1½" | | 60.5 | |
| SAR 250 - VXm 10/35 | | | | 53.0 | |
| SAR 250 - VXm 15/35 | | | | 54.0 | |
| SAR 250 - VXm 10/50 | | | | 2" | 53.0 |
| SAR 250 - VXm 15/50 | | | | | 53.0 |
| SAR 250 - BCm 10/50 | | | | | 53.5 |
| SAR 250 - BCm 15/50 | | | | DN 75 | 55.0 |
| SAR 250 - TRm 0.75 | | 1¼" | | DN 50 | 62.0 |
| SAR 250 - TRm 1.1 | | | | 64.0 | |
| SAR 250 - TRm 1.5 | | | | 1½" | 79.0 |

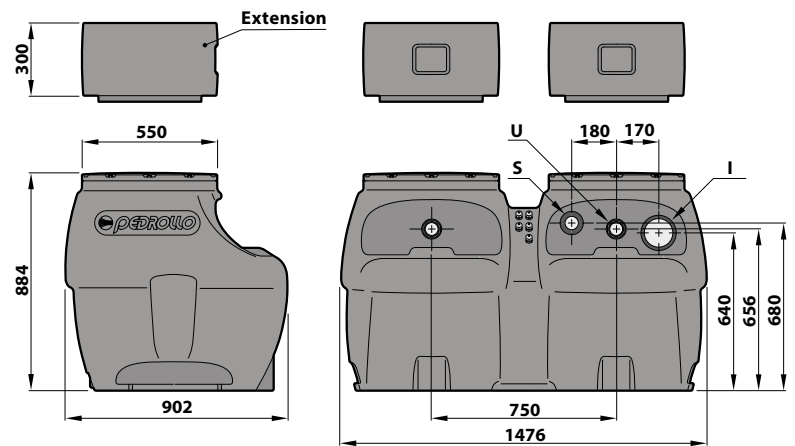


Only for VX-ST, BC-ST versions

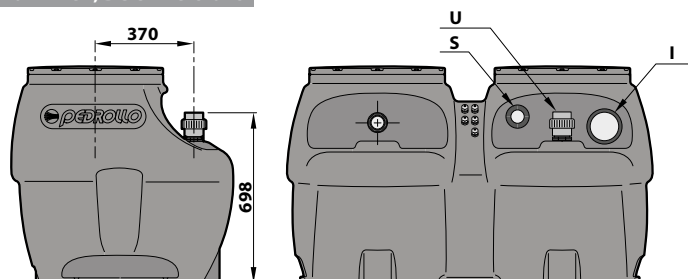


⁽¹⁾ Male threaded fitting (female for VX-ST and BC-ST)

| MODEL | PORTS | | | kg | | |
|------------------------|--------|------------------|-------|-------|-------|-------|
| | I | U ⁽¹⁾ | S | | | |
| SAR 550 - TOP 4 | DN 110 | 1½" | DN 50 | 96.0 | | |
| SAR 550 - TOP 5 | | | | 95.2 | | |
| SAR 550 - RXm 4 | | | | 103.0 | | |
| SAR 550 - RXm 5 | | | | 105.0 | | |
| SAR 550 - Dm 10 | | | | 1½" | 101.2 | |
| SAR 550 - Dm 20 | | | | | 101.2 | |
| SAR 550 - Dm 30 | | | | | 105.7 | |
| SAR 550 - RXm 4/40 | | | | | 105.0 | |
| SAR 550 - RXm 5/40 | | | | | 106.0 | |
| SAR 550 - VXm 10/35-ST | | | | | 2" | 120.0 |
| SAR 550 - VXm 10/50-ST | | | | | | 121.0 |
| SAR 550 - BCm10/50-ST | | | | 122.0 | | |
| SAR 550 - VXm 10/35 | | | | 1½" | 105.0 | |
| SAR 550 - VXm 15/35 | | | | | 106.0 | |
| SAR 550 - VXm 10/50 | | | | 2" | DN 75 | 105.1 |
| SAR 550 - VXm 15/50 | | | | | 108.0 | |
| SAR 550 - VX 15/50 | | | | | 107.0 | |
| SAR 550 - BCm 10/50 | | | | 1¼" | DN 50 | 109.0 |
| SAR 550 - BCm 15/50 | | | | | 108.0 | |
| SAR 550 - BC 15/50 | | | | | 106.0 | |
| SAR 550 - TRm 0.75 | | | | 1½" | DN 50 | 135.0 |
| SAR 550 - TRm 1.1 | | | | | 137.5 | |
| SAR 550 - TR 1.1 | | | | | 137.0 | |
| SAR 550 - TRm 1.5 | | | | 182.0 | | |



Only for VX-ST, BC-ST versions



⁽¹⁾ Male threaded fitting (female for VX-ST and BC-ST)