

PQ 3000

INDUSTRIAL USE

Pump with peripheral impeller

 Clean water

 Industrial use



PQ 3000

PQ 3000-MF

PERFORMANCE RANGE

- Flow rate up to **50 l/min** (3 m³/h)
- Head up to **180 m**

APPLICATION LIMITS

- Manometric suction lift up to **8 m**
- Liquid temperature between **-10 °C** and **+90 °C**
- Ambient temperature between **-10 °C** and **+40 °C**
- Max. working pressure **18 bar**
- Continuous service **S1**

CONSTRUCTION AND SAFETY STANDARDS

- **PQ 3000**: pump body in cast iron with anti-block treatment.
- **PQ 3000-MF**: pump body and protective cover in AISI 316 cast stainless steel

EN 60335-1
IEC 60335-1
CEI 61-150

EN 60034-1
IEC 60034-1
CEI 2-3



INSTALLATION AND USE

Suitable for use with clean water and with liquids that are not chemically aggressive towards the materials from which the pump is made.

The hydraulic characteristics of this pump make it suitable for use in industrial applications.

Installation needs to be undertaken in well ventilated closed areas or anyway protected from bad weather.

PATENTS - TRADE MARKS - MODELS

- Registered EU Design n. 002714469

OPTIONS AVAILABLE ON REQUEST

- Special mechanical seal
- EN 10088-3 - 1.4401 (AISI 316) stainless steel pump shaft
- Other voltages or 60 Hz frequency

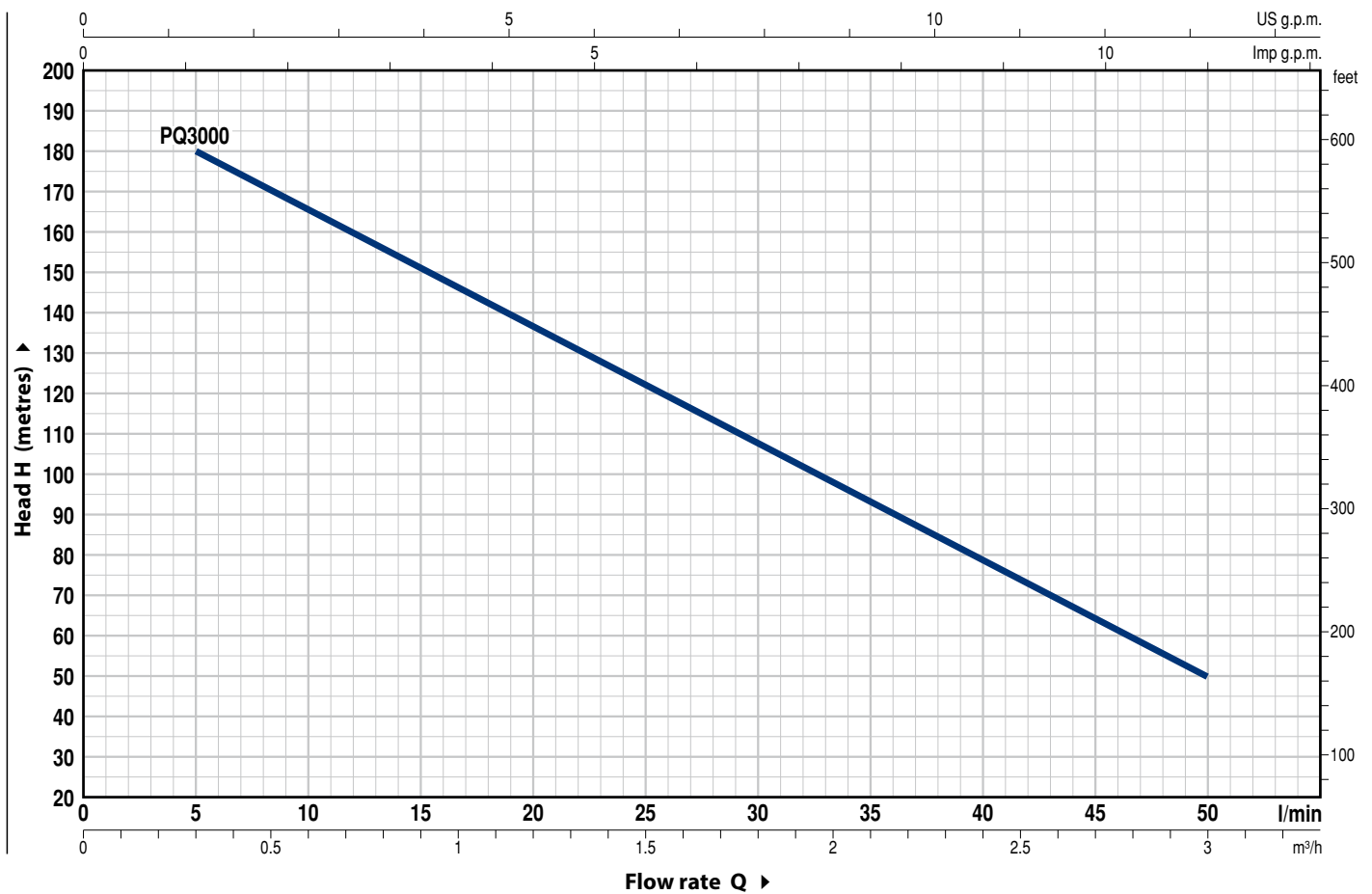
CERTIFICATIONS

Company with management system certified DNV
ISO 9001: QUALITY



CHARACTERISTIC CURVES AND PERFORMANCE DATA

50 Hz n= 2900 min⁻¹ HS= 0 m



MODEL	POWER (P ₂)			Q	0.3	0.6	0.9	1.2	1.5	1.8	2.1	2.4	2.7	3.0
	kW	HP	▲		5	10	15	20	25	30	35	40	45	50
PQ 3000	2.2	3		H metres	180	165	151	136.5	122	107.5	93	78.5	64	50
PQ 3000-MF	2.2	3	IE3		180	165	151	136.5	122	107.5	93	78.5	64	50

Q = Flow rate H = Total manometric head HS = Suction height

Tolerance of characteristic curves in compliance with EN ISO 9906 Grade 3B.

▲ Three-phase motor efficiency class (IEC 60034-30-1)

PQ 3000

POS. COMPONENT CONSTRUCTION CHARACTERISTICS

1 PUMP BODY **PQ 3000:** cast iron with anti-block treatment complete with threaded ports in compliance with ISO 228/1
PQ 3000-MF: AISI 316 cast stainless steel complete with threaded ports in compliance with ISO 228/1

2 PUMP BODY BACK PLATE Stainless steel AISI 316

3 MOTOR BRACKET Aluminium

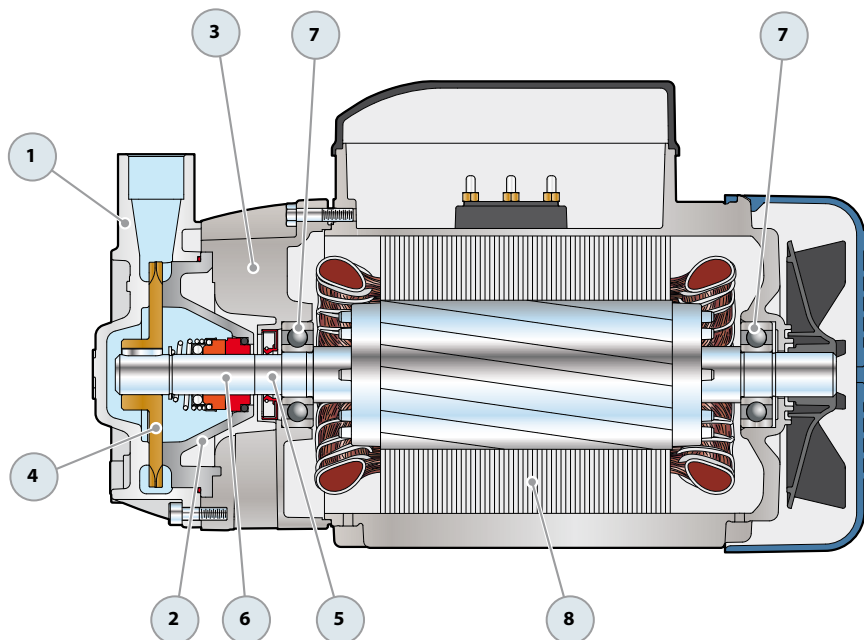
4 IMPELLER Bronze with peripheral radial vanes

5 MOTOR SHAFT Stainless steel AISI 431

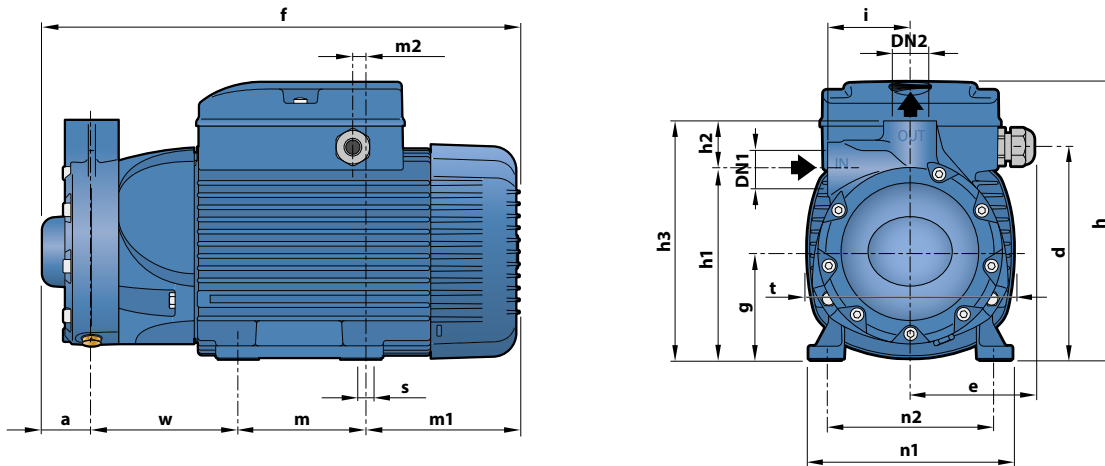
6 MECHANICAL SEAL	<i>Seal</i>	<i>Shaft</i>	<i>Materials</i>		
	<i>Model</i>	<i>Diameter</i>	<i>Stationary ring</i>	<i>Rotational ring</i>	<i>Elastomer</i>
	FN-18 NU	Ø 18 mm	Graphite	Ceramic	NBR

7 BEARINGS **6204 ZZ - C3 / 6204 ZZ - C3**

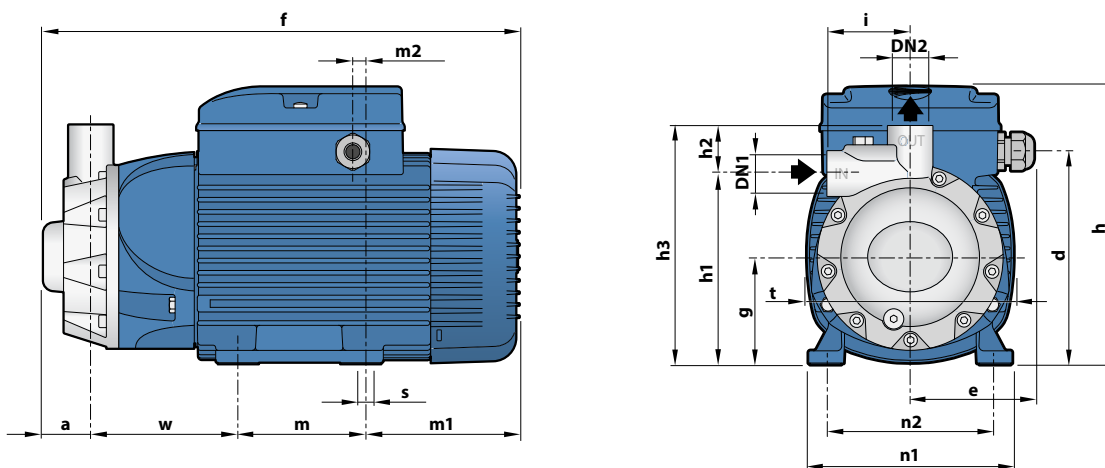
8 ELECTRIC MOTOR **PQ 3000:** three-phase 230/400 V - 50 Hz.
 ⇒ **The pump is fitted with a high performance motor in class IE3 (IEC 60034-30-1)**
 – Insulation: class H
 – Protection: IP X5



DIMENSIONS AND WEIGHT



MODEL	PORTS		DIMENSIONS mm																		kg
	DN1	DN2	a	d	e	f	g	h	h1	h2	h3	i	m	m1	m2	n1	n2	t	w	s	
PQ 3000	¾"	¾"	37	157.5	92	356	80	211	142	36	178	62	100	114	11	151	125	155	105	9	19.6



MODEL	PORTS		DIMENSIONS mm																		kg
	DN1	DN2	a	d	e	f	g	h	h1	h2	h3	i	m	m1	m2	n1	n2	t	w	s	
PQ 3000-MF	¾"	¾"	28	157.5	92	347	80	211	142	36	178	62	100	114	11	151	125	155	105	9	18.8

ABSORPTION

MODEL	VOLTAGE			
	230 V	400 V	240 V	415 V
PQ 3000	12.9 A	7.5 A	12.5 A	7.3 A
PQ 3000-MF	12.9 A	7.5 A	12.5 A	7.3 A