

D

Submersible drainage pumps

-  Clear water
-  Domestic use
-  Civil use



PERFORMANCE RANGE

- Flow rate up to **300 l/min** (18 m³/h)
- Head up to **26 m**

APPLICATION LIMITS

- **5 m** maximum immersion depth (with a sufficiently long power cable)
- Maximum liquid temperature **+40 °C**
- Passage of suspended solids up to **Ø 10 mm**
- Suction down to **17 mm** above ground level
- Minimum immersion depth for continuous service:
 - **210 mm** for D 8-10-20
 - **250 mm** for D 30

CONSTRUCTION AND SAFETY STANDARDS

- Power cable length:
 - **5 m** for D8, D10, D20
 - **10 m** for D30
- Float switch for single-phase versions

EN 60335-1
IEC 60335-1
CEI 61-150

EN 60034-1
IEC 60034-1
CEI 2-3



CERTIFICATIONS

Company with management system certified DNV
ISO 9001: QUALITY



INSTALLATION AND USE

Designed for draining **clear or slightly dirty water**, the **D** series pumps are recommended for domestic, civil and professional applications for draining flooded interiors such as basements and garages, for emptying swimming pools and tanks, for disposal of waste water which is not sewage.

These pumps distinguish themselves for their reliability, which can be best appreciated under automatic operating conditions in fixed installations.

PATENTS - TRADE MARKS - MODELS

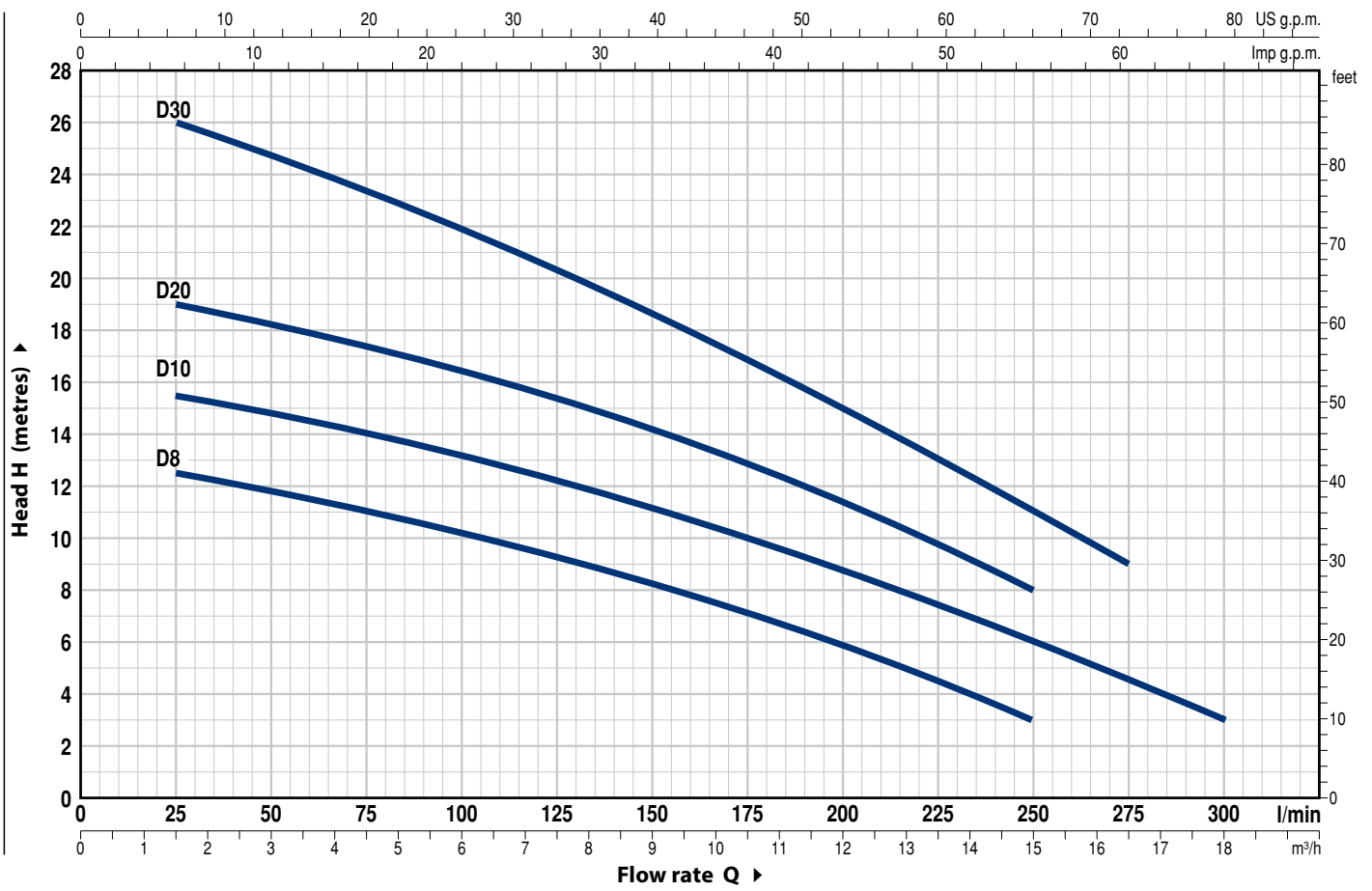
- Patent n. EP2313658
- Patent n. IT0001428923

OPTIONS AVAILABLE ON REQUEST

- D8-10-20 pumps with a **10 m** power cable.
 - ➔ N.B.: Standard EN 60335-2-41 states that the power cable must be 10 m long for outdoor applications
- Single-phase pumps without float switch
- Other voltages or 60 Hz frequency

CHARACTERISTIC CURVES AND PERFORMANCE DATA

50 Hz n= 2900 min⁻¹



MODEL		POWER (P ₂)		Q	Flow rate																	
Single-phase	Three-phase	kW	HP		m ³ /h	0	1.5	3.0	4.5	6.0	7.5	9.0	10.5	12.0	13.2	15.0	16.5	18.0				
				l/min	0	25	50	75	100	125	150	175	200	220	250	275	300					
Dm 8	D 8	0.55	0.75	H metres	13	12.5	12	11	10	9	8	7	6	4.7	3							
Dm 10	D 10	0.75	1		16	15.5	15	14	13.2	12.2	11.2	10	8.8	7.8	6	4.5	3					
Dm 20	D 20	0.75	1		20	19	18.5	17.5	16.5	15.5	14.3	13	11.5	10	8							
Dm 30	D 30	1.1	1.5		26	26	25	23.5	22	20.5	18.7	17	15	13.5	11	9						

Q = Flow rate H = Total manometric head

Tolerance of characteristic curves in compliance with EN ISO 9906 Grade 3B.

POS. COMPONENT CONSTRUCTION CHARACTERISTICS

1	PUMP BODY	Cast iron with an Epoxy Electro Coating treatment, with threaded port in compliance with ISO 228/1
2	SUCTION FILTER	Stainless steel AISI 304
3	SUCTION PLATE	Stainless steel AISI 304
4	IMPELLER	Technopolymer open type
5	MOTOR CASING	Stainless steel AISI 304
6	MOTOR CASING PLATE	Stainless steel AISI 304 for D 8-10-20 Cast iron with an Epoxy Electro Coating treatment for D 30
7	MOTOR SHAFT	Stainless steel AISI 431

8 SHAFT WITH DOUBLE MECHANICAL SEAL SEPARATED BY AN OIL CHAMBER

Pump Model	Seal Model	Shaft Diameter	Position	Materials		
				Stationary ring	Rotational ring	Elastomer
D8	MG1-14D SIC	Ø 14 mm	Motor side	Silicon carbide	Graphite	NBR
D10			Pump side	Silicon carbide	Silicon carbide	NBR
D20						
(Double seal on shaft with a ring seal Ø 16 x Ø 24 x H 5 mm)				Ceramic	Silicon carbide	NBR
D30	ST1-14 SIC	Ø 14 mm				

9 BEARINGS

Pump Model	Model
D 8-10-20	6203 ZZ / 6203 ZZ
D 30	6303 2RS - C3 / 6203 ZZ

10 CAPACITOR EN 60252-1/A1 

11 ELECTRIC MOTOR

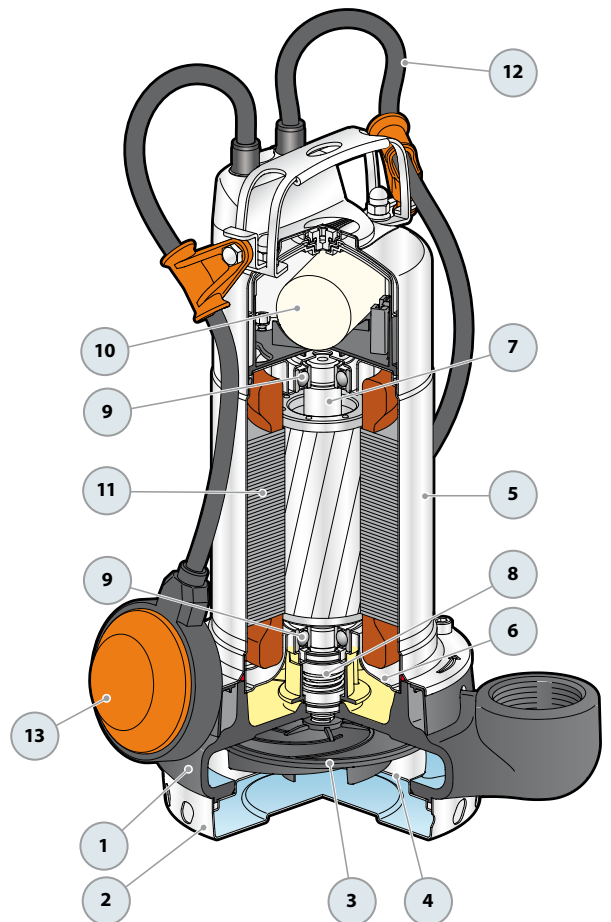
Dm: single-phase 230 V - 50 Hz
with thermal overload protector incorporated into the winding
D: three-phase 400 V - 50 Hz
– Insulation: class F
– Protection: IP X8

12 POWER CABLE

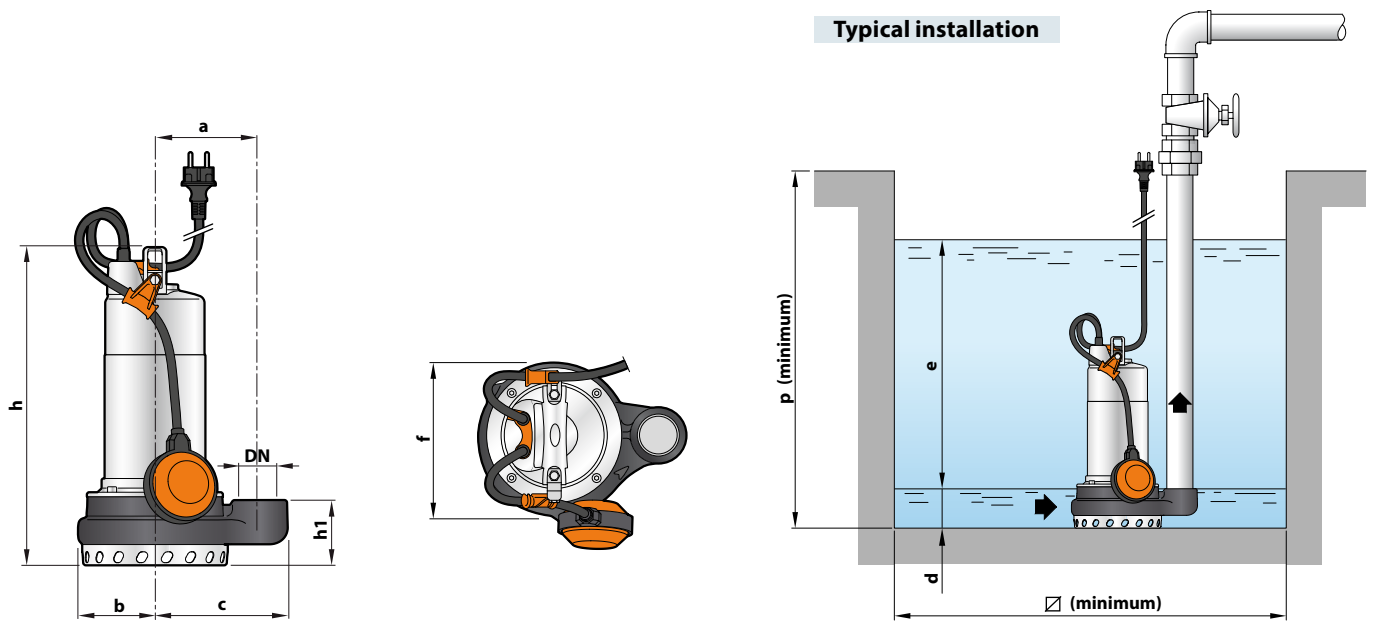
“H07 RN-F” type
(with Schuko plug for single-phase versions only)
Standard length 5 metres (10 metres for D30)

13 FLOAT SWITCH

(only for single-phase versions)



DIMENSIONS AND WEIGHT



MODEL		PORT DN	DIMENSIONS mm										kg	
Single-phase	Three-phase		a	b	c	f	h	h1	d	e	p	Ø	1~	3~
Dm 8	D 8	1½"	115	85	147	177	338	73	17	variable	500	500	12.8	11.7
Dm 10	D 10						353						14.0	12.9
Dm 20	D 20						353						14.0	12.9
Dm 30	D 30			93			195	390					84	17.4

ABSORPTION AND CAPACITORS

MODEL	VOLTAGE	
	Single-phase	230 V
Dm 8	3.4 A	3.4 A
Dm 10	5.0 A	4.9 A
Dm 20	5.5 A	5.4 A
Dm 30	7.3 A	7.2 A

MODEL	VOLTAGE			
	Three-phase	230 V	400 V	240 V
D 8	2.3 A	1.4 A	2.2 A	1.3 A
D 10	3.4 A	2.0 A	3.3 A	1.9 A
D 20	3.8 A	2.2 A	3.6 A	2.1 A
D 30	5.0 A	2.9 A	4.8 A	2.8 A

CAPACITORS

MODEL	CAPACITANCE
Single-phase	(230 V or 240 V)
Dm 8	20 µF 450 VL
Dm 10	25 µF 450 VL
Dm 20	25 µF 450 VL
Dm 30	35 µF 450 VL

PALLETIZATION

MODEL		GROUPAGE n. pumps	CONTAINER n. pumps
Single-phase	Three-phase		
Dm 8	D 8	60	80
Dm 10	D 10	60	80
Dm 20	D 20	60	80
Dm 30	D 30	60	80